



EVOTECH®
P E R F O R M A N C E

Installation Instructions

DUCATI X-DIAVEL 2016 CRASH PROTECTION

Product Reference - 13282

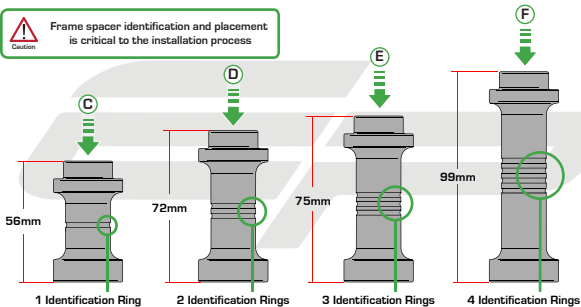
Kit Contents

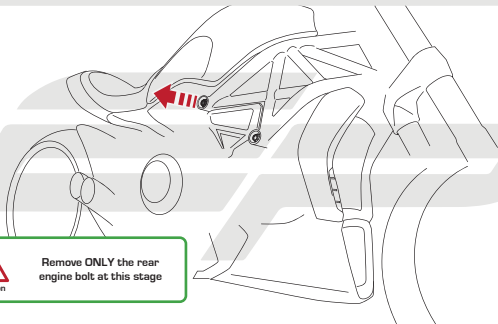
- | | |
|----------------------------------------|----------------------------------------|
| A 1 x RH Arm | H 1 x M12 - 130mm Cap Head Bolt |
| B 1 x LH Arm | I 2 x M12 - 145mm Cap Head Bolt |
| C 1 x 56mm Frame Spacer | J 2 x M12 - 90mm Cap Head Bolt |
| D 1 x 72mm Frame Spacer | K 2 x Bobbin Heads |
| E 1 x 75mm Frame Spacer | L 2 x Bobbin Spacers |
| F 1 x 99mm Frame Spacer | M 2 x Impact Absorbing Washers |
| G 1 x M12 - 170mm Cap Head Bolt | N 2 x M12 Washers |



Caution

Frame spacer identification and placement is critical to the installation process





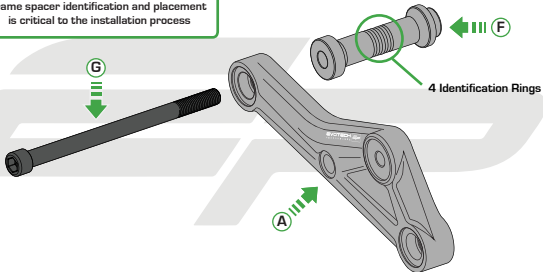
Caution

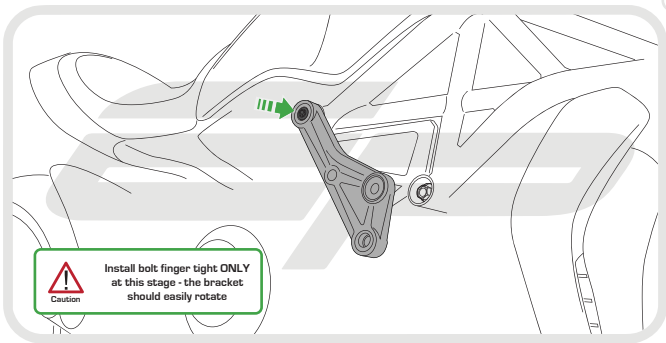
Remove **ONLY** the rear engine bolt at this stage



Caution

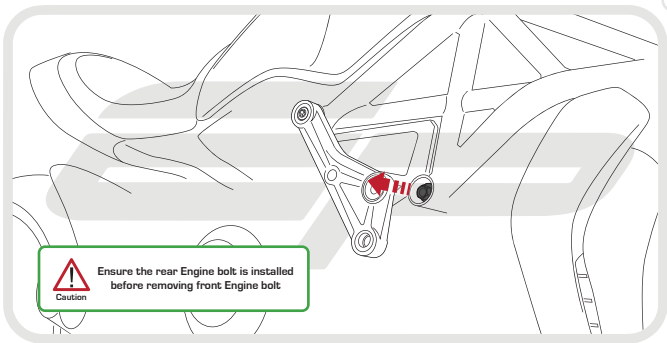
Frame spacer identification and placement is critical to the installation process





Caution

Install bolt finger tight **ONLY**
at this stage - the bracket
should easily rotate

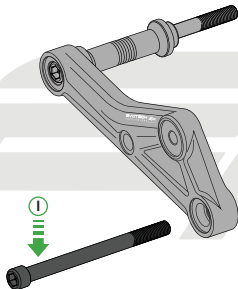


Caution

Ensure the rear Engine bolt is installed
before removing front Engine bolt

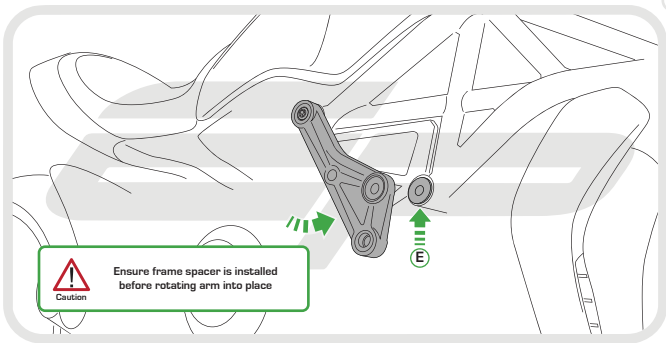


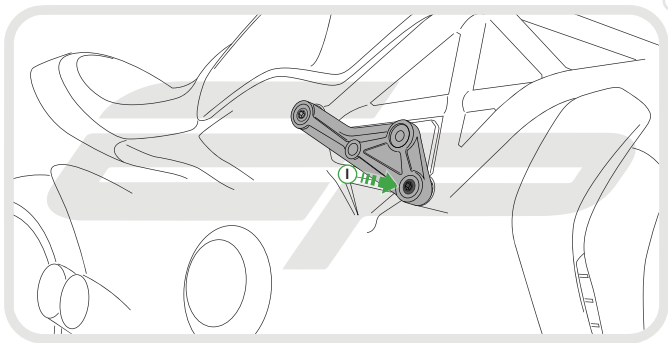
Frame spacer identification and placement is critical to the installation process

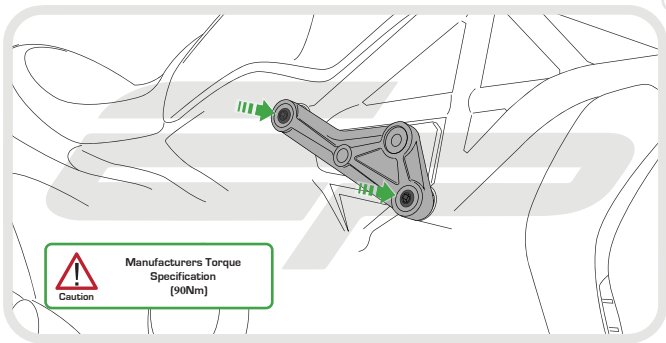


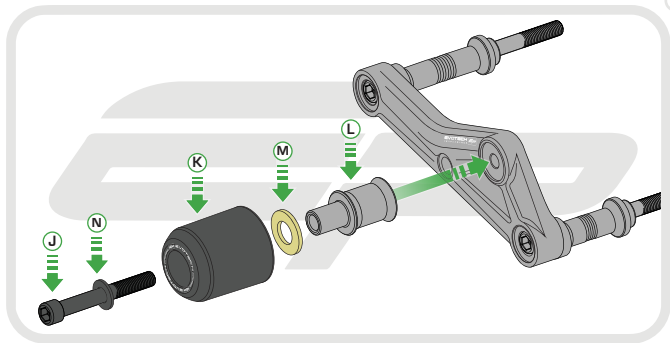
← III E

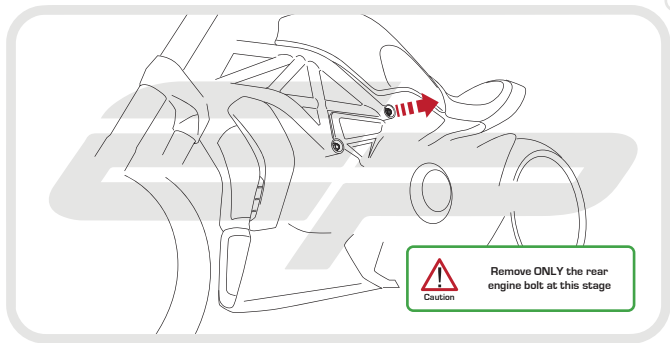
3 Identification Rings





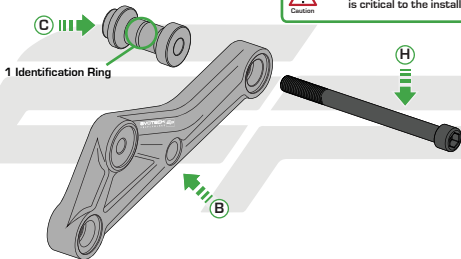


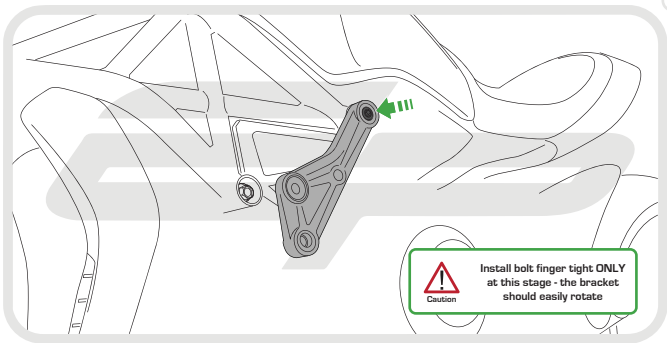




Caution

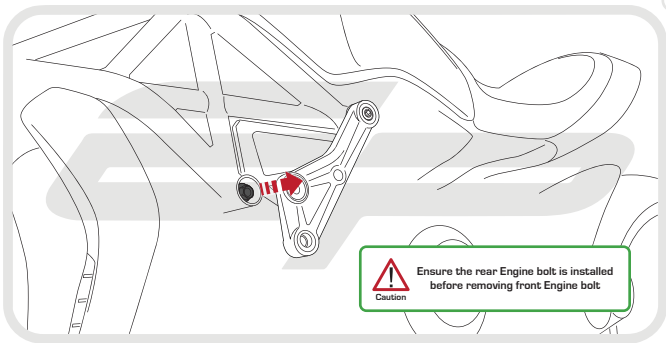
Remove **ONLY** the rear engine bolt at this stage





Caution

Install bolt finger tight **ONLY**
at this stage - the bracket
should easily rotate



Caution

Ensure the rear Engine bolt is installed
before removing front Engine bolt



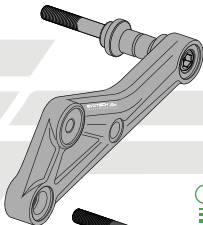
Caution

Frame spacer identification and placement
is critical to the installation process

D

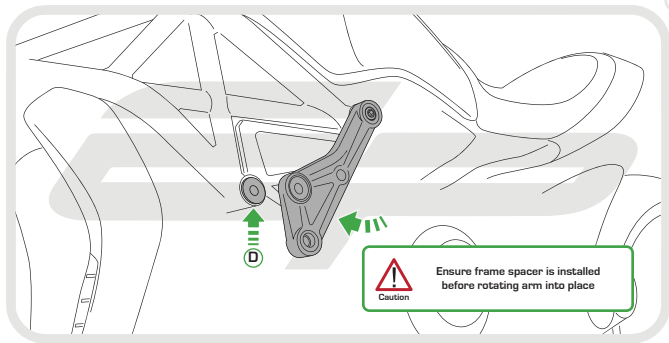


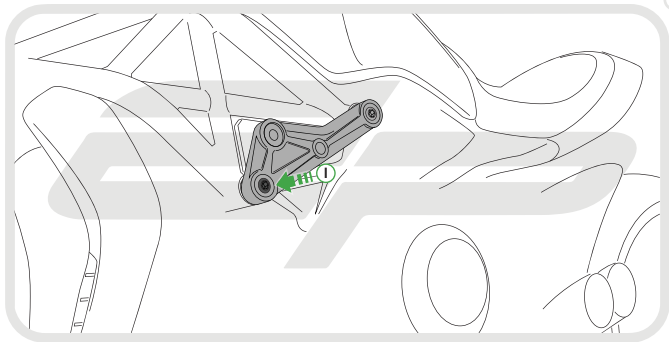
2 Identification Rings

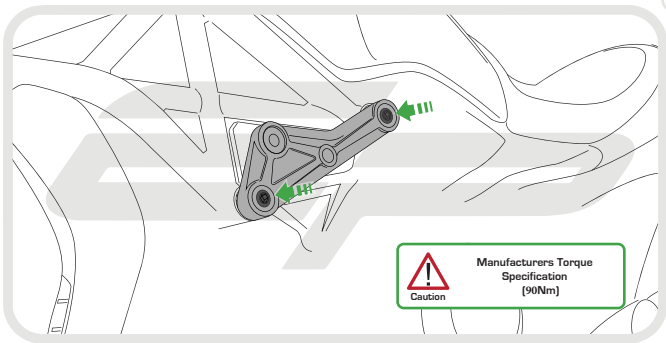


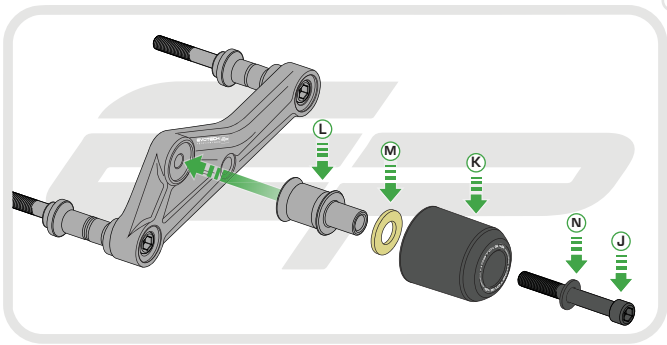
I













ESSENTIAL CHECKS



It is recommended that periodic inspections are made to ensure that all bolts are tightened to the specified torque settings.

Should the bike be involved in an accident a thorough inspection should be made and any components that have taken an impact, no matter how small, be replaced



EVOTECH®
P E R F O R M A N C E

www.evotech-performance.com