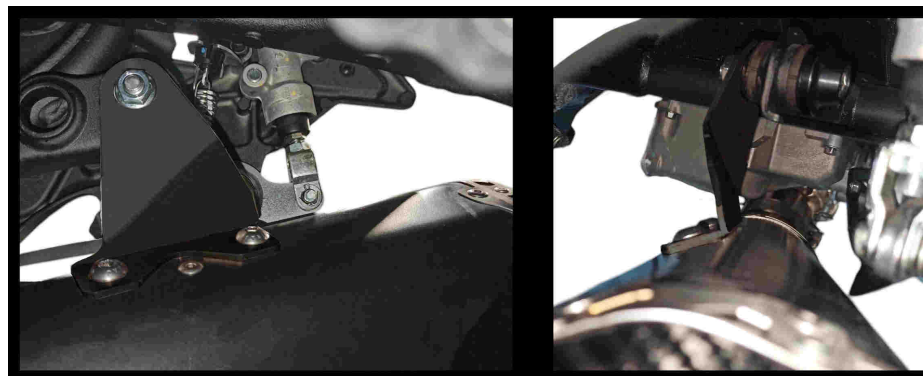
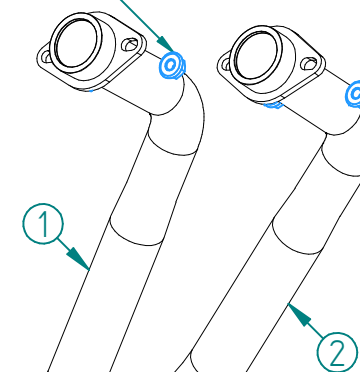


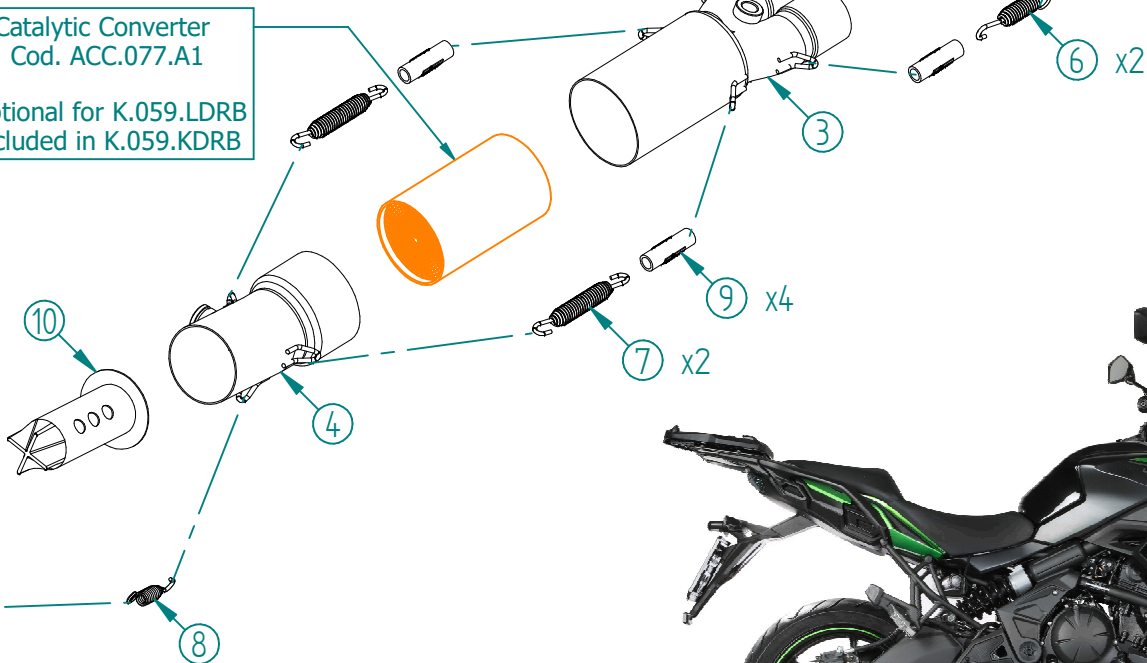
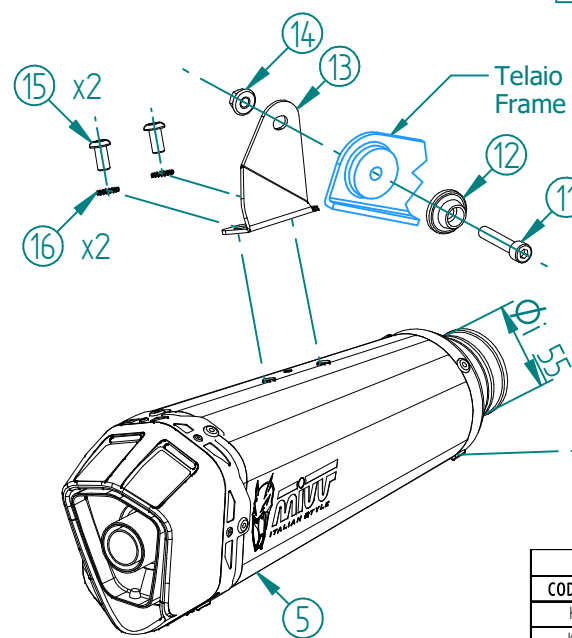
#	DESCRIPTION	PART NUMBER	QTY
1	Collettore #1 / Down pipe #1	9773K059SDRXA	1
2	Collettore #2 / Down pipe #2	9773K059SDRXB	1
3	Tubo di raccordo 2-1 / Link pipe 2-1	9773K057S2C	1
4	Tubo di raccordo / Link pipe	9773K059SDRXD	1
5	Silenziatore / Muffler - db killer 50.DK.119.0	Delta Race Ø55	1
6	Molla corta / Short Spring	50.73.123.1	2
7	Molla lunga / Long spring	50.71.080.1	2
8	Molla ultracorta / Ultra-short spring	50.73.951.1	1
9	Tubo in gomma per molla / Rubber pipe for spring	50.73.210.1	4
10	dB Killer	50.DK.081.0	1
11	Vite M8x40 / Screw M8x40	50.73.075.1	1
12	Rondella in alluminio nera / Black aluminium washer	50.73.221.1	1
13	Staffa / Bracket	50.SS.1536.0	1
14	Dado M8 flangiato / Flanged nut M8	50.73.393.1	1
15	Vite M8 x 16 / Screw M8 x 16	50.73.098.1	2
16	Rondella di sicurezza / Safety washer	50.73.604.1	2



Dadi originali  
Original nuts



Catalytic Converter  
Cod. ACC.077.A1  
Optional for K.059.LDRB  
Included in K.059.KDRB



APPLICAZIONI / APPLICATIONS			
CODICE / CODE	SILENZIATORE / MUFFLER	TUBO / PIPE	NOTE
K.059.LDRB	STEEL BLACK	INOX / ST. STEEL	CATALYTIC CONVERTER NOT INCLUDED
K.059.KDRB			CATALYTIC CONVERTER INCLUDED

