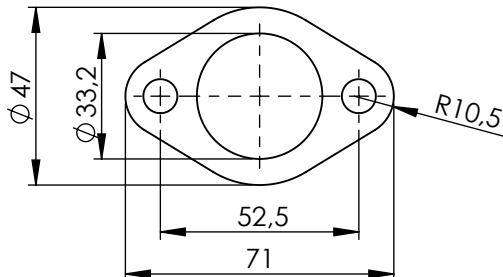
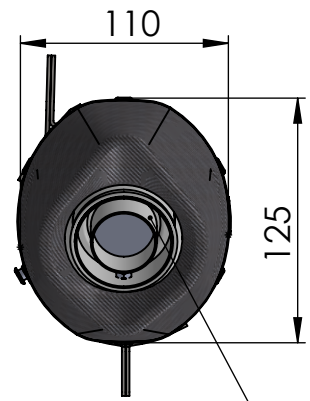


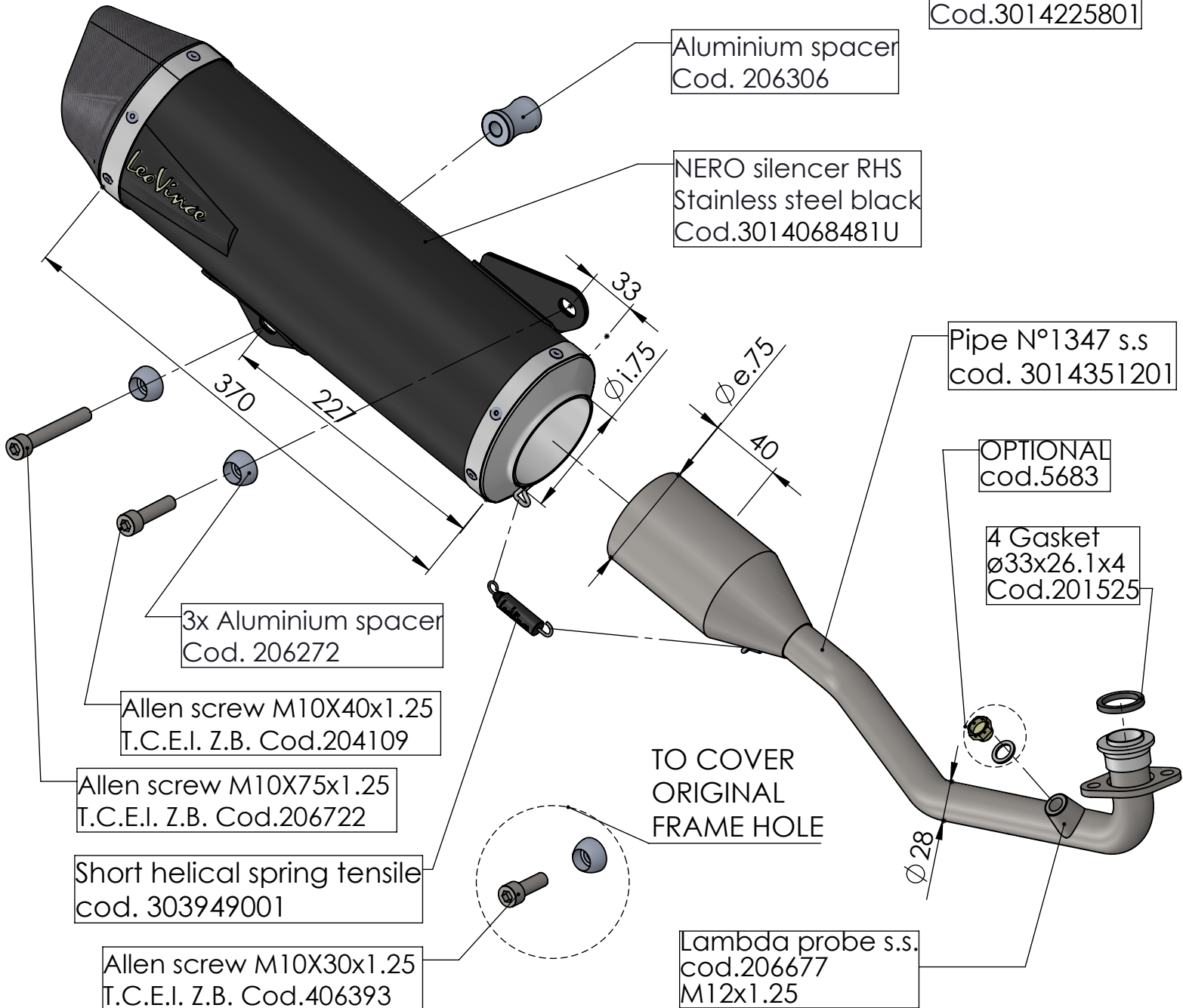
**Bushing s.s**  
cod.206283



**Flange s.s. 43E sp.5mm**  
cod.206308



**Db-Killer N.63**  
Cod.3014225801



**ART. 14068U**

HONDA SH 125i / 150i

FULL SYSTEM - NERO - STAINLESS STEEL