



FITTING INSTRUCTIONS FOR LP0289BK LICENCE PLATE BRACKET
FOR KAWASAKI NINJA 1000SX 2020-
FOR ORIGINAL AND AFTERMARKET M8 INDICATORS



THIS KIT CONTAINS THE ITEMS PICTURED AND LABELLED OVER PAGE.

SOME PARTS MAY BE SHOWN FOR CLARITY OF INSTRUCTIONS ONLY.

DO NOT PROCEED UNTIL YOU ARE SURE ALL PARTS ARE PRESENT.

PLEASE READ ALL INSTRUCTIONS BEFORE PROCEEDING.

**IF IN ANY DOUBT WHEN FITTING OUR PRODUCTS, CONSULT ONE OF OUR DEALERS
OR HAVE FITTED BY A QUALIFIED TECHNICIAN.**

PLEASE NOTE THAT THE WAY THE KIT IS PACKED DOES NOT NECESSARILY REPRESENT THE WAY OF
MOUNTING TO THE BIKE.

IN THE EVENT OF RUBBER WASHERS BEING USED TO HOLD COMPONENTS ONTO BOLTS,
THESE RUBBER WASHERS CAN BE THROWN AWAY.

DIGITAL COPIES OF THESE INSTRUCTIONS ARE AVAILABLE FROM:

WWW.RG-RACING.COM

R&G

Unit 1, Shelley's Lane, East Worldham, Alton, Hampshire, GU34 3AQ
Tel: +44 (0)1420 89007 Fax: +44 (0)1420 87301 www.rg-racing.com Email: info@rg-racing.com



<u>TOOLS REQUIRED</u>	<u>GENERAL TORQUE SETTINGS</u>
<ul style="list-style-type: none"> • Set of metric Allen keys to include 3, 4, 5 & 6mm A/F size. • 8, 10 and 12mm spanners or sockets and wrench. • Phillips screwdriver. • Cable cutters. • Small amount of adhesive. 	<p>M4 BOLT = 8Nm</p> <p>M5 BOLT = 12Nm</p> <p>M6 BOLT = 15Nm</p> <p>M8 BOLT = 20Nm</p> <p>M10 BOLT = 40Nm</p> <p>M12 BOLT = 40Nm</p>

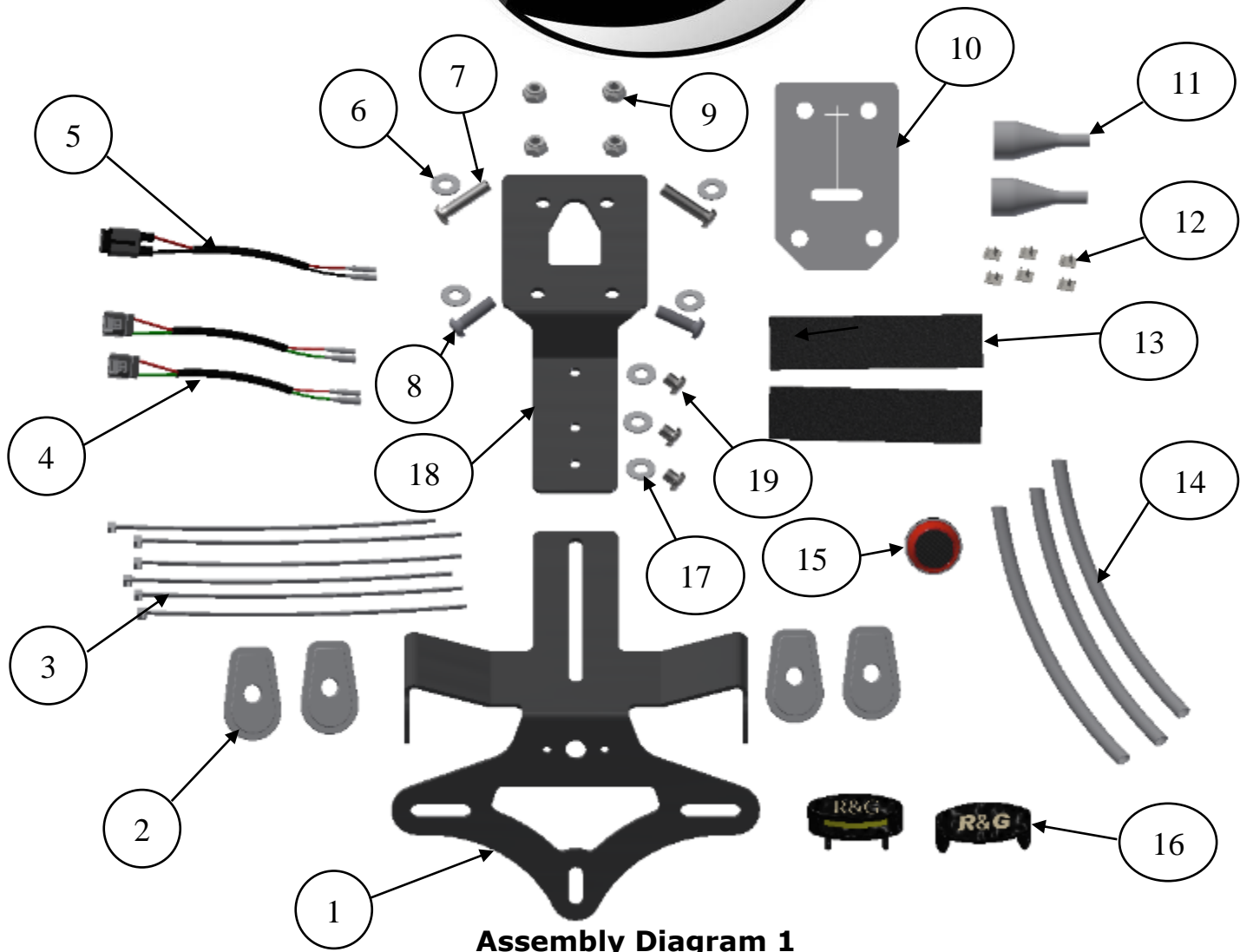
LEGEND

ITEM NO.	DESCRIPTION	QTY
ITEM 1	LICENCE PLATE BRACKET (TB0289 PART 1)	1
ITEM 2	MINI INDICATOR ADAPTORS (I0026)	4
ITEM 3	2.5mm CABLE TIES	6
ITEM 4	R&G MINI INDICATOR CONNECTORS (CON0060)	2
ITEM 5	LICENCE PLATE ILLUMINATOR CONNECTOR (CON0051)	1
ITEM 6	M6 WASHERS (12mm DIA)	4
ITEM 7	M6 x 25mm LONG BUTTON HEAD BOLTS	2
ITEM 8	M6 x 20mm LONG BUTTON HEAD BOLTS	2
ITEM 9	M6 NYLOC NUTS	4
ITEM 10	RUBBER GASKET (RG0015)	1
ITEM 11	INDICATOR WIRING COVERS (IWC0001)	2
ITEM 12	SELF-ADHESIVE CABLE CLIPS	4
ITEM 13	SELF ADHESIVE FOAM	2
ITEM 14	150mm LENGTH OF HEATSHRINK	3
ITEM 15	REFLECTOR (REFL 3)	1
ITEM 16	LICENCE PLATE ILLUMINATOR ASSEMBLY (LA0002)	1
ITEM 17	M6 WASHERS (16mm DIA)	3
ITEM 18	MOUNTING BRACKET (TB0289 PART 2)	1
ITEM 19	M6 x 6mm LONG BUTTON HEAD BOLTS	3

R&G

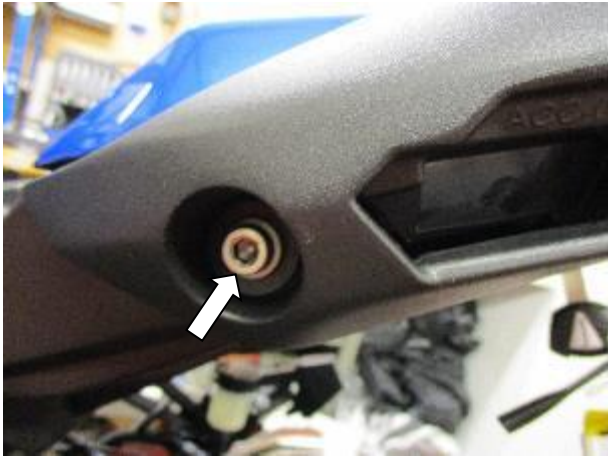
Unit 1, Shelley's Lane, East Worldham, Alton, Hampshire, GU34 3AQ

Tel: +44 (0)1420 89007 Fax: +44 (0)1420 87301 www.rg-racing.com Email: info@rg-racing.com

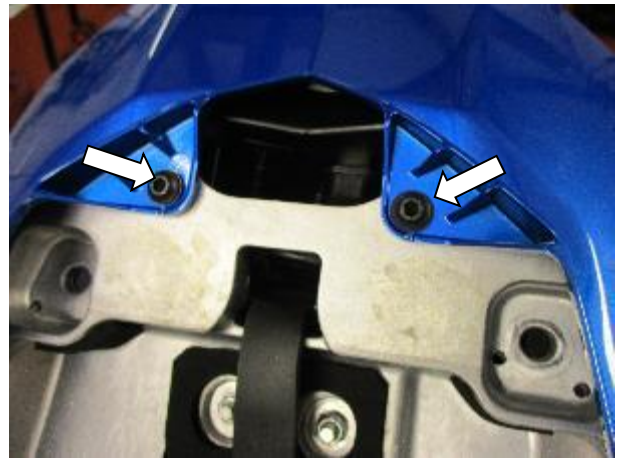


R&G

Unit 1, Shelley's Lane, East Worldham, Alton, Hampshire, GU34 3AQ
Tel: +44 (0)1420 89007 Fax: +44 (0)1420 87301 www.rg-racing.com Email: info@rg-racing.com



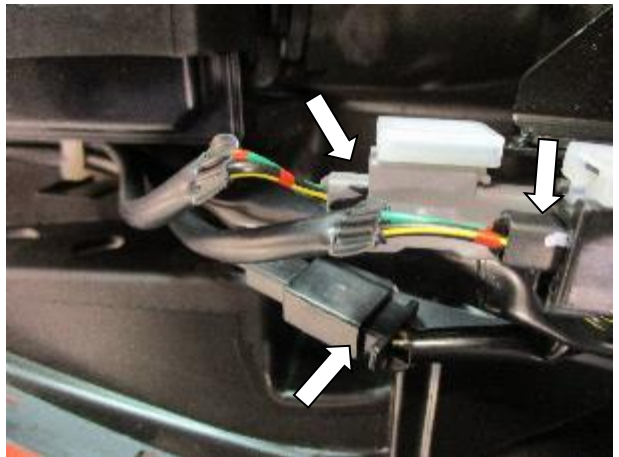
PICTURE 3



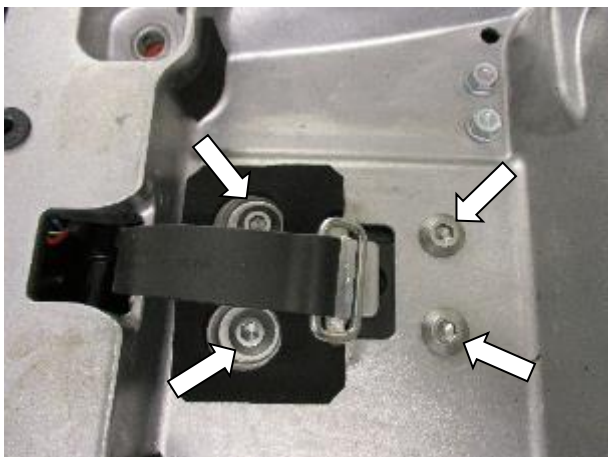
PICTURE 4



PICTURE 5



PICTURE 6



PICTURE 7



PICTURE 8

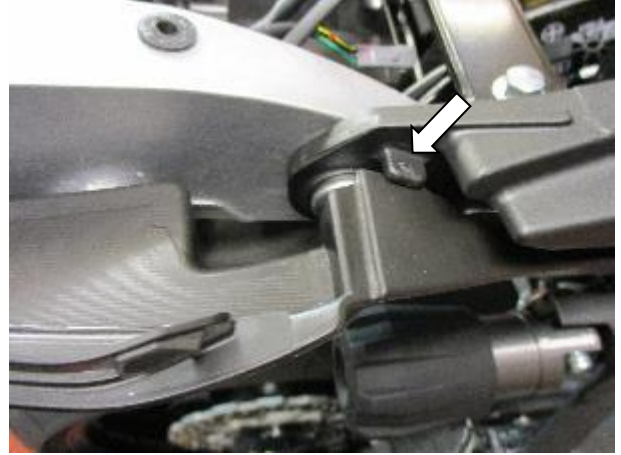
R&G

Unit 1, Shelley's Lane, East Worldham, Alton, Hampshire, GU34 3AQ

Tel: +44 (0)1420 89007 Fax: +44 (0)1420 87301 www.rg-racing.com Email: info@rg-racing.com



PICTURE 9



PICTURE 10



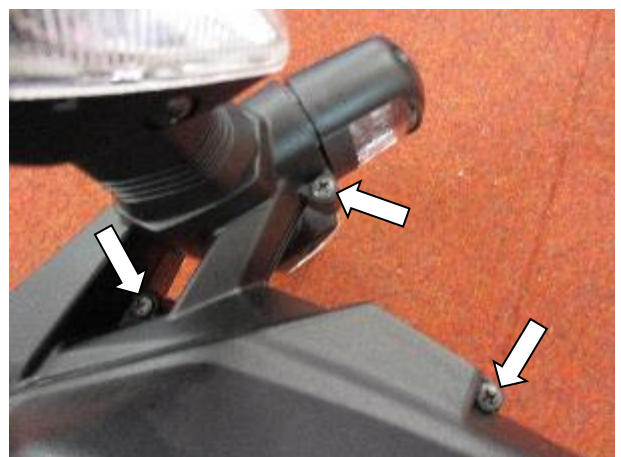
PICTURE 11



PICTURE 12



PICTURE 13



PICTURE 14

R&G

Unit 1, Shelley's Lane, East Worldham, Alton, Hampshire, GU34 3AQ

Tel: +44 (0)1420 89007 Fax: +44 (0)1420 87301 www.rg-racing.com Email: info@rg-racing.com



PICTURE 15



PICTURE 16



PICTURE 17



PICTURE 18



PICTURE 19



PICTURE 20

R&G

Unit 1, Shelley's Lane, East Worldham, Alton, Hampshire, GU34 3AQ

Tel: +44 (0)1420 89007 Fax: +44 (0)1420 87301 www.rg-racing.com Email: info@rg-racing.com



PICTURE 21



PICTURE 22



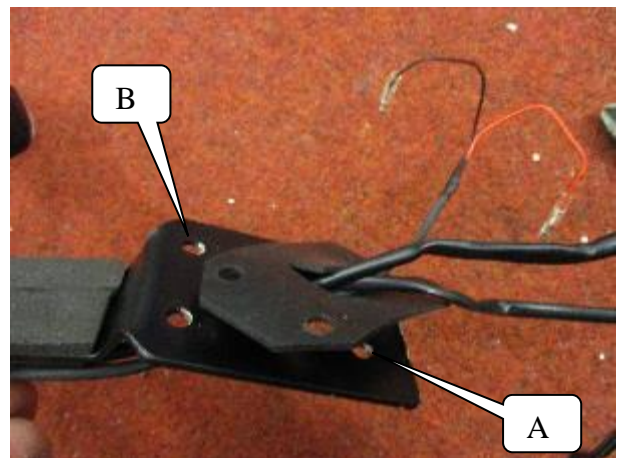
PICTURE 23



PICTURE 24



PICTURE 25

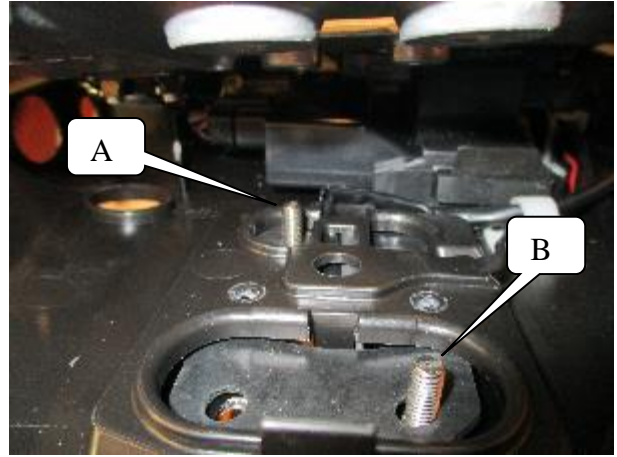


PICTURE 26

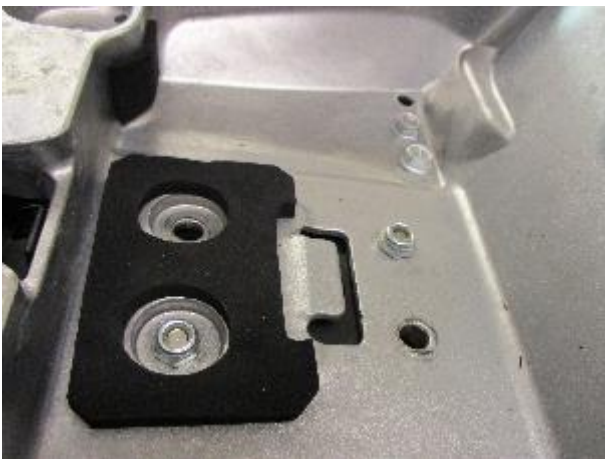
R&G



PICTURE 27



PICTURE 28



PICTURE 29



PICTURE 30



PICTURE 31



PICTURE 32

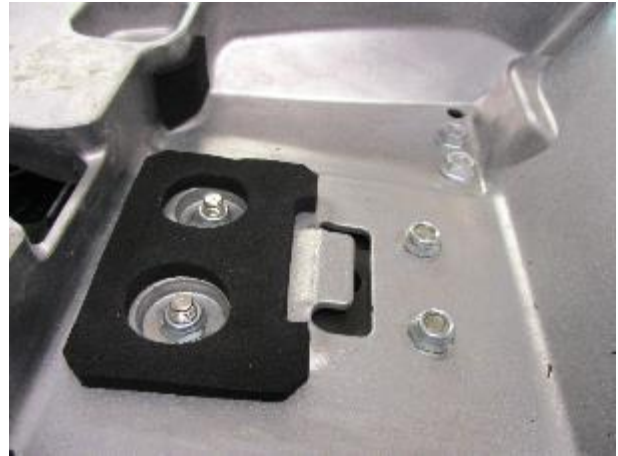
R&G

Unit 1, Shelley's Lane, East Worldham, Alton, Hampshire, GU34 3AQ

Tel: +44 (0)1420 89007 Fax: +44 (0)1420 87301 www.rg-racing.com Email: info@rg-racing.com



PICTURE 33



PICTURE 34

FITTING INSTRUCTIONS

- Remove the panniers, rider and pillion seats.
- Remove the two bolts arrowed in **picture 1**.
- Remove the two bolts arrowed in **pictures 2 and 3**, then remove both pannier mounting brackets.
- Remove the four bolts arrowed in **pictures 4 and 5**.
- Carefully remove the rear sub-frame cowl.
- Disconnect the three wiring plug sockets arrowed in **picture 6**.
- Remove the four bolts arrowed in **picture 7**.
- Remove the two bolts arrowed in **picture 8**.
- Gently unclip the plastic under-tray from the location tabs shown in **pictures 9 and 10** and gently lower the under-tray (you will have to feed the tool kit bungee through the slot in the rear sub-frame) until it rests on the rear wheel.
- With the under-tray lowered remove the two screws arrowed in **picture 11**.
- Carefully remove the wiring taking note of its routing.
- Carefully remove the original licence plate bracket while feeding all the wires through the holes in the under-tray.

If reusing the original indicators

- Remove the two bolts arrowed in **picture 12** and remove the licence plate bolt bracket.
- Remove the nut arrowed in **picture 13** and remove the reflector.
- Remove the three bolts arrowed in **picture 14**, the bracket can now be carefully separated into two halves.
- Remove the screw arrowed in **picture 15** and then the clamp plate and the spreader plate.
- Then squeeze the rubber indicator stem to allow the indicator to be removed as shown in **picture 16**.
- Repeat the above to remove the other indicator (please note the relevant sides as they have drain holes which should point downwards on assembly).
- Fit the indicators to the indicator/licence plate mounting bracket (**item 1**) as shown in **pictures 17, 18, 19 and 20** in the same manner as they were mounted originally (ensure they are fitted on the correct sides).

R&G

Unit 1, Shelley's Lane, East Worldham, Alton, Hampshire, GU34 3AQ

Tel: +44 (0)1420 89007 Fax: +44 (0)1420 87301 www.rg-racing.com Email: info@rg-racing.com

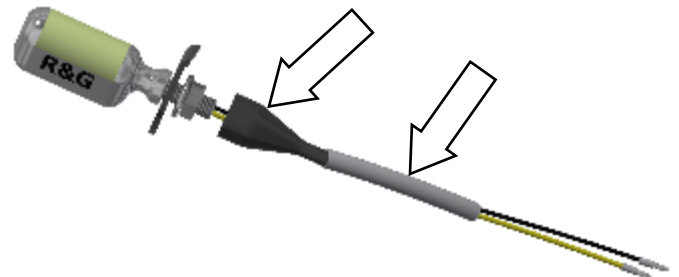
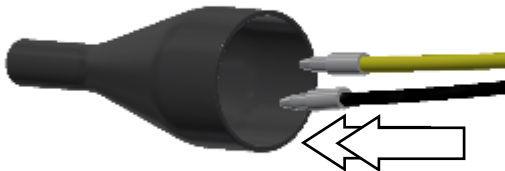


If using Mini indicators

- If using mini's fit the indicators of choice to the indicator/licence plate mounting bracket (**item 1**) (R&G mini indicator product code RG371 for LED type or RG372 for Aero Style led type) using the four indicator adaptors (**item 2**) as shown in the pictures below and tighten the nut.



- Feed the indicator wiring through one of the nut/wire covers (**item 11**) as shown in **pictures below** (it helps if a small amount of liquid detergent is used) and position the nut cover over the nut (repeat the above for the opposite indicator).
- Fit one length of heat-shrink (**item 14**) over the wires of each indicator so the heat-shrink fits over the stem of the nut/wire cover and gently heat until the heat-shrink contracts to the wiring and nut/wire cover as shown in **pictures below**.



- Fit the new licence plate illuminator (**item 16**) to the new licence plate bracket (**item 1**) as shown in **pictures 21 and 22**.
- **PLEASE NOTE YOU WILL NEED TO GLUE THE LIGHT SHROUD TO THE LED LICENCE PLATE ILLUMINATOR USING A SUITABLE ADHESIVE.**
- Use the cable ties and clips (**items 3 and 12**) to neaten and tidy the wiring as shown in **picture 23** ensuring to leave room around the slot for bolts and washers when fully assembled.
- Stick the self-adhesive neoprene foam (**item 13**) to the mounting bracket (**item 18**) as shown in **picture 24**.
- Using the three short M6 button head bolts (**item 19**) with the larger washers (**item 17**) mount the main mounting bracket (**item 18**) to the indicator/licence plate bracket assembly

R&G

Unit 1, Shelley's Lane, East Worldham, Alton, Hampshire, GU34 3AQ

Tel: +44 (0)1420 89007 Fax: +44 (0)1420 87301 www.rg-racing.com Email: info@rg-racing.com



- (**item 1**) as shown in **picture 25** (position as far backwards as possible and do not tighten at this stage).
- Feed the wires through the central slot in the main bracket as shown in **picture 26**.
 - Feed the wires through the slit in the rubber gasket (**item 10**) as shown in **picture 26**.
 - Offer this assembly into position while feeding the wires through the under-tray as original (shown in **picture 27**).
 - Feed the wires through the under-tray cable guides and the sub-frame as original.
 - Gently raise the under-tray into its original position.
 - Place one of the longer M6 button head bolts (**item 7**) with one of the smaller M6 washers (**item 6**) through the hole marked 'A' and the rubber gasket as shown in **pictures 26 and 28**.
 - Place one of the shorter M6 button head bolts (**item 8**) with one of the smaller M6 washers (**item 6**) through the hole marked 'B' and the rubber gasket as shown in **pictures 26 and 28**.
 - Use two of the M6 nuts (**item 9**) to hold it in position as shown in **picture 29** (do not tighten at this stage).
 - Gently clip the plastic under-tray over location tabs shown in **pictures 30 and 31**.
 - Refit the three bolts shown in **pictures 32 and 33** as original.
 - Place the remaining longer M6 button head bolt (**item 7**) with one of the smaller M6 washers (**item 6**) through the remaining most forward hole and the rubber gasket as shown in **picture 34** and secure using one of the M6 nuts (**item 9**).
 - Place the remaining shorter M6 button head bolt (**item 8**) with one of the smaller M6 washers (**item 6**) through the remaining most rearward hole and the rubber gasket as shown in **picture 34** and secure using one of the M6 nuts (**item 9**) and tighten the four nuts.
 - Route the wiring as original.
 - Connect the licence plate illuminator using the supplied wiring connector (**item 5**) to the original wiring plug socket.
 - If using the original indicators connect the indicators to the original wiring plug sockets. It is a good idea to check the operation of the licence plate illuminator and indicators at this stage.
 - If fitting the R&G Mini Indicators connect the indicators using the supplied wiring connectors (**items 4**) to the original wiring plug socket. Plug it into the loom to check at this stage (if illumination fails, swap the bullet connections around). (Please use the heat-shrink (**item 14**) to protect the new indicator wires). It is a good idea at this point to turn the ignition on and check for the correct operation of all lights.
 - Refit the rear sub-frame cowl as original.
 - Refit the pannier brackets as original.
 - If using the panniers please fit them and position the indicator/licence plate bracket so the panniers can be removed without loosening the clamping bolts, tighten the three bolts securely.
 - If not using panniers the bracket may be positioned further forward to improve looks, please ensure all bolts are secure and no parts can contact or damage any part of the motorcycle.
 - Re-fit the licence plate (it may require drilling).
 - **IMPORTANT: IF FITTING A FULL-SIZE LICENCE PLATE AND PLACING IT FAR DOWN ON THE LICENCE PLATE HANGER, THERE IS A SMALL CHANCE OF THE LICENCE PLATE HITTING THE BACK WHEEL UNDER HEAVY LOAD AND OVER LARGE BUMPS IN THE ROAD. IT IS YOUR RESPONSIBILITY TO CHECK FOR THIS POSSIBILITY AND TAKE AVOIDING ACTION. FAILURE TO CHECK THIS COULD RESULT IN SERIOUS INJURY OR DAMAGE.**
 - Refit both seats.

R&G

Unit 1, Shelley's Lane, East Worldham, Alton, Hampshire, GU34 3AQ

Tel: +44 (0)1420 89007 Fax: +44 (0)1420 87301 www.rg-racing.com Email: info@rg-racing.com



- Depending on local laws, attach the enclosed red reflector (**item 15**) in an appropriate location.
- **Please test the indicators, rear light and licence plate illuminator before riding.**

ISSUE 1 30/03/2020 (NSY)

CONSUMER NOTICE

The catalogue description and any exhibition of samples are only broad indications of the Products and R&G may make design changes which do not diminish their performance or visual appeal and supplying them in such state shall conform to the order. The Buyer acknowledges no representation or warranty (other than as to title) has been given or will apply to the Products other than those in R&G's order or confirmation and the Buyer confirms it has chosen the Products as being of merchantable quality and suitable for its particular purposes. Where R&G fits the Products or undertakes other services it shall exercise reasonable skill and care and rectify any fault free of charge unless the workmanship has been disturbed. The Buyer is responsible for ensuring that the warranty on the motorcycle is not affected by the fitting of the Products. On return of any defective Products R&G shall at its option either supply a replacement or refund the purchase money but shall not be liable if the Products have been modified or used or maintained otherwise than in accordance with R&G's or manufacturer's instructions and good engineering practice or if the defect arises from accident or neglect. Other than identified above and subject to R&G not limiting its liability for causing death and personal injury, it shall not be liable for indirect or consequential loss and otherwise its liability shall be limited to the amounts paid by the Buyer for the Products or the fitting or service concerned. These terms do not affect the Buyer's statutory rights.

R&G RACING RETURNS POLICY (NON-FAULTY GOODS)

Returns must be pre-authorized (if not pre-authorized the return will be rejected). Goods may only be returned direct to us if they were purchased direct from us (customer must prove if necessary). Otherwise to be returned to original vendor. Goods must be in re-sellable condition, in the opinion of R&G Racing. All returns are subject to a 25% restocking and handling fee (25% of the gross value exc. P&P – at the prevailing price at time of purchase). The customer must pay any and all carriage charges. No returns of discontinued products, unless within 14 days of purchase. This policy does not affect your statutory rights and does not refer to faulty goods.

R&G

Unit 1, Shelley's Lane, East Worldham, Alton, Hampshire, GU34 3AQ

Tel: +44 (0)1420 89007 Fax: +44 (0)1420 87301 www.rg-racing.com Email: info@rg-racing.com



NOTICE DE MONTAGE POUR LP0289BK SUPPORT DE PLAQUE
POUR KAWASAKI NINJA 1000SX 2020-
POUR CLIGNOTANTS D'ORIGINE ET NON D'ORIGINE



CE KIT CONTIENT LES ARTICLES ILLUSTRES ET ETIQUETES SUR LA PAGE.

CERTAINES PARTIES PEUVENT ETRE PRESENTES UNIQUEMENT POUR LA CLARTE DES INSTRUCTIONS.

NE PAS PROCEDER AU MONTAGE TANT QUE VOUS N'ETES PAS SUR QUE TOUTES LES PIECES SOIENT PRESENTES.

VEUILLEZ LIRE TOUTES LES INSTRUCTIONS AVANT DE CONTINUER.

EN CAS DE DOUTE LORS DU MONTAGE DE NOS PRODUITS, CONSULTEZ UN DE NOS REVENDEURS OU FAITES APPEL A UN TECHNICIEN QUALIFIE.

VEUILLEZ NOTER QUE LA FAÇON DONT LE KIT EST EMBALLE NE REPRESENTE PAS NECESSAIREMENT LA MANIERE DE LE MONTER SUR LA MOTO.

SI DES RONDELLES EN CAOUTCHOUC SONT UTILISEES POUR MAINTENIR LES COMPOSANTS SUR LES BOULONS, ELLES PEUVENT ETRE JETEES.

NOTICE DISPONIBLE AU TELECHARGEMENT SUR : WWW.RG-RACING.COM

R&G

Unit 1, Shelley's Lane, East Worldham, Alton, Hampshire, GU34 3AQ

Tel: +44 (0)1420 89007 Fax: +44 (0)1420 87301 www.rg-racing.com Email: info@rg-racing.com



<u>OUTILS REQUIS</u>	<u>VALEURS DE SERRAGE RECOMMANDÉES</u>
<ul style="list-style-type: none"> • Clés Allen 3, 4, 5 & 6mm. • Clés à cliquet + douille 8, 10 et 12mm • Tournevis cruciforme. <ul style="list-style-type: none"> • Pince coupante. • Un peu de colle. 	M4 BOULON = 8Nm M5 BOULON = 12Nm M6 BOULON = 15Nm M8 BOULON = 20Nm M10 BOULON = 40Nm M12 BOULON = 40Nm

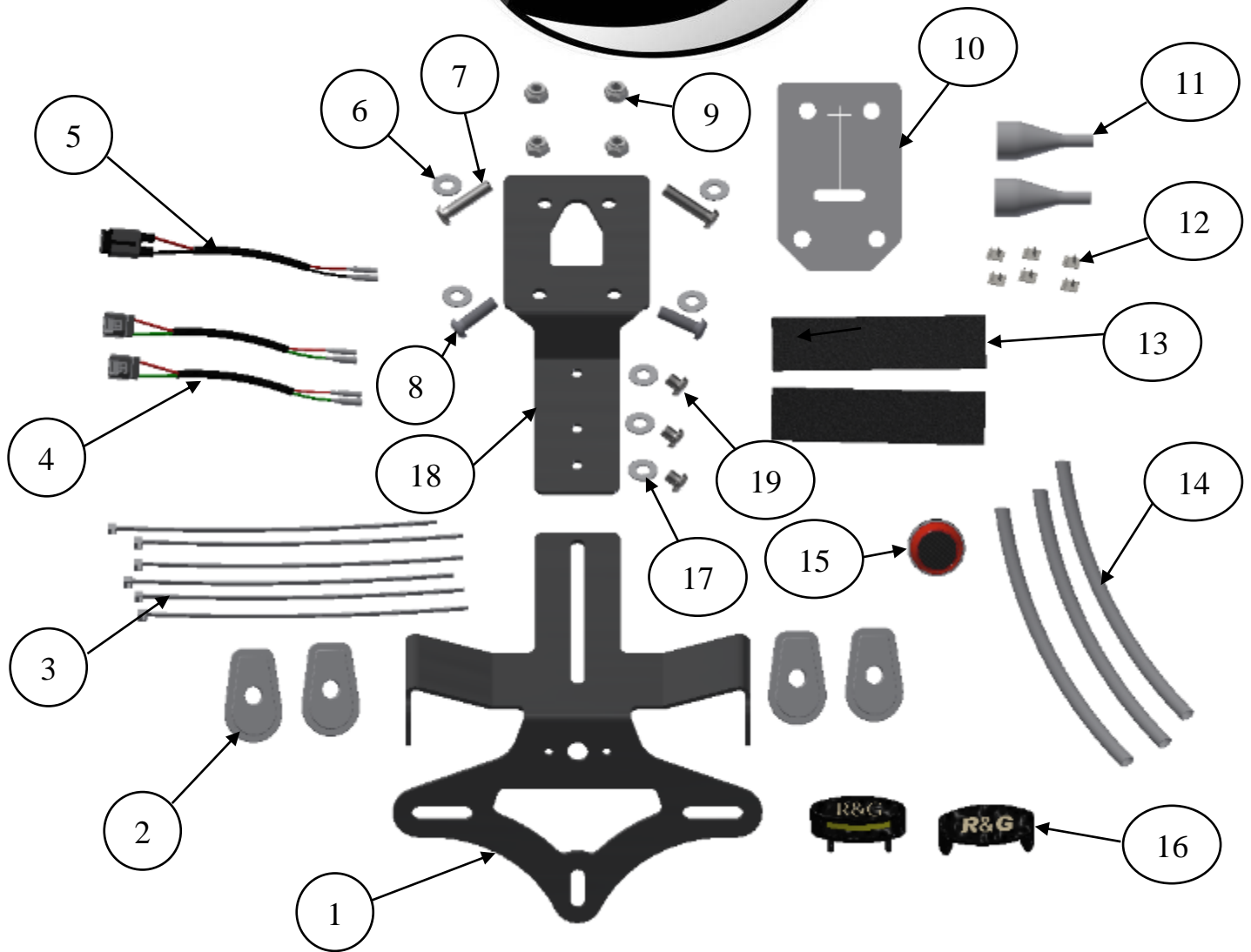
LEGEND

ARTICLE NO.	DESCRIPTION	QTÉ
ARTICLE 1	SUPPORT DE PLAQUE (TB0289 PARTIE 1)	1
ARTICLE 2	ADAPTATEURS MINI CLIGNOTANTS (I0026)	4
ARTICLE 3	2.5mm COLLIERS DE SERRAGE	6
ARTICLE 4	CONNECTEURS DE MINI CLIGNOTANTS R&G (CON0060)	2
ARTICLE 5	CONNECTEUR DE FEU DE PLAQUE (CON0051)	1
ARTICLE 6	M6 RONDELLES (12mm DIA)	4
ARTICLE 7	M6 x 25mm BOULONS	2
ARTICLE 8	M6 x 20mm BOULON	2
ARTICLE 9	M6 ÉCROUS	4
ARTICLE 10	JOINT EN CAOUTCHOUC (RG0015)	1
ARTICLE 11	CACHES FILS CLIGNOTANT (IWC0001)	2
ARTICLE 12	CLIPS CÂBLE AUTOCOLLANT	4
ARTICLE 13	MOUSSE AUTOCOLLANTE	2
ARTICLE 14	150mm LONGUEUR DE MANCHON THERMO RÉTRACTABLE	3
ARTICLE 15	REFLECTEUR (REFL 3)	1
ARTICLE 16	ASSEMBLAGE DE FEU DE PLAQUE (LA0002)	1
ARTICLE 17	M6 RONDELLES (16mm DIA)	3
ARTICLE 18	MOUNTING BRACKET (TB0289 PART 2)	1
ARTICLE 19	M6 x 6mm LONG BUTTON HEAD BOLTS	3

R&G

Unit 1, Shelley's Lane, East Worldham, Alton, Hampshire, GU34 3AQ

Tel: +44 (0)1420 89007 Fax: +44 (0)1420 87301 www.rg-racing.com Email: info@rg-racing.com



R&G

Unit 1, Shelley's Lane, East Worldham, Alton, Hampshire, GU34 3AQ

Tel: +44 (0)1420 89007 Fax: +44 (0)1420 87301 www.rg-racing.com Email: info@rg-racing.com



NOTICE DE MONTAGE

- Retirez les sacoches, les sièges conducteurs et passager.
- Retirez les deux boulons fléchés sur la photo 1.
- • Retirez les deux boulons fléchés sur les photos 2 et 3, puis retirez les deux supports de montage de la sacoche.
- • Retirez les quatre boulons fléchés sur les photos 4 et 5.
- • Retirez avec précaution le capot du sous-cadre arrière.
- • Débranchez les trois prises de fils indiquées sur la photo 6.
- Retirez les quatre boulons fléchés sur la photo 7.
- Retirez les deux boulons fléchés sur la photo 8.
- Déclippez délicatement le sous-cadre en plastique des languettes de positionnement illustrées sur les photos 9 et 10 et abaissez doucement le sous-cadre (vous devrez faire passer la tresse à outils à travers la fente du sous-cadre arrière) jusqu'à ce qu'il repose sur le roue arrière.
- Une fois le sous cadre abaissé, retirez les deux vis fléchées sur la photo 11.
- Retirez soigneusement le câblage en prenant note de son acheminement.
- Retirez délicatement le support de plaque d'immatriculation d'origine tout en faisant passer tous les fils dans les trous du sous-cadre.

Si vous réutilisez les clignotants d'origine

- Retirez les deux boulons fléchés sur la photo 12 et retirez le support de boulon de plaque d'immatriculation.
- Retirez l'écrou fléché sur la photo 13 et retirez le réflecteur.
- Retirez les trois boulons fléchés sur la photo 14, le support peut maintenant être soigneusement séparé en deux moitiés.
- Retirez la vis fléchée sur la photo 15 puis la plaque de serrage et la plaque d'écartement.
- Serrez ensuite la tige de clignotant en caoutchouc pour permettre au clignotant d'être retiré comme indiqué sur la photo 16.
- Répétez les étapes ci-dessus pour retirer l'autre clignotant (veuillez noter les côtés appropriés car ils ont des trous de drainage qui doivent pointer vers le bas lors du montage).
- Montez les clignotants sur le support de montage de clignotant / plaque d'immatriculation (article 1) comme indiqué sur les photos 17, 18, 19 et 20 de la même manière qu'ils ont été montés à l'origine (assurez-vous qu'ils soient montés du bon côté).

R&G

Unit 1, Shelley's Lane, East Worldham, Alton, Hampshire, GU34 3AQ

Tel: +44 (0)1420 89007 Fax: +44 (0)1420 87301 www.rg-racing.com Email: info@rg-racing.com



Si vous utilisez des mini clignotants

- Si vous utilisez des mini clignotants, ajustez ceux de votre choix sur le support de montage de clignotant / plaque d'immatriculation (article 1) (code produit R&G mini RG371 pour le type LED ou RG372 pour le type à LED Aero Style) en utilisant les quatre adaptateurs de clignotants (article 2) comme indiqué sur les photos ci-dessous et serrez l'écrou.



- Faites passer le câblage de clignotant à travers l'un des cache-écrou / fils (article 11) comme indiqué sur les photos ci-dessous (cela aide si une petite quantité de détergent liquide est utilisé) et positionnez le cache-écrou sur l'écrou (répétez la procédure ci-dessus pour l'autre clignotant).
- Placer une longueur de manchon thermorétractable (article 14) sur les fils de chaque clignotant afin que le manchon thermorétractable s'adapte sur la tige du cache-écrou / fil et chauffer doucement jusqu'à ce que le manchon se contracte sur le câblage et le cache-écrou / fil comme montré sur les photos ci-dessous.



- Montez le nouveau feu de plaque d'immatriculation (article 16) sur le nouveau support de plaque d'immatriculation (article 1) comme indiqué sur les photos 21 et 22.
- VEUILLEZ NOTER QUE VOUS AUREZ BESOIN DE COLLER LA PROTECTION FEU AU FEU DE PLAQUE D'IMMATRICULATION À LED À L'AIDE D'UN ADHÉSIF APPROPRIÉ.
- Utilisez les colliers de serrage et les clips (articles 3 et 12) pour ranger le câblage comme indiqué sur la photo 23 en veillant à laisser de la place autour de la fente pour les boulons et les rondelles une fois complètement assemblés.

R&G

Unit 1, Shelley's Lane, East Worldham, Alton, Hampshire, GU34 3AQ

Tel: +44 (0)1420 89007 Fax: +44 (0)1420 87301 www.rg-racing.com Email: info@rg-racing.com



- Collez la mousse néoprène autocollante (article 13) sur le support de montage (article 18) comme indiqué sur la photo 24.
- À l'aide des trois boulons courts à tête ronde M6 (article 19) avec les rondelles plus grandes (article 17), montez le support de montage principal (article 18) sur le clignotant / support de plaque d'immatriculation (article 1) comme indiqué sur la photo 25 (position aussi loin que possible et ne serrez pas à ce stade).
- Faites passer les fils dans la fente centrale du support principal, comme indiqué sur la photo 26.
- Faites passer les fils par la fente du joint en caoutchouc (article 10) comme indiqué sur la photo 26.
- Montez cet assemblage en position tout en faisant passer les fils à travers le sous cadre inférieur comme à l'origine (illustré sur la photo 27).
- Faites passer les fils à travers les guides câbles sous le plateau et le sous-cadre comme à l'origine.
- Soulevez doucement le sous cadre dans sa position d'origine.
- Placer l'un des boulons à tête ronde M6 les plus longs (article 7) avec l'une des petites rondelles M6 (article 6) dans le trou marqué «A» et le joint en caoutchouc, comme illustré sur les photos 26 et 28.
- Placer l'un des boulons à tête ronde M6 les plus courts (article 8) avec l'une des petites rondelles M6 (article 6) dans le trou marqué «B» et le joint en caoutchouc, comme illustré sur les photos 26 et 28.
- Utilisez deux des écrous M6 (article 9) pour le maintenir en position comme indiqué sur la photo 29 (ne serrez pas à ce stade).
- Fixez délicatement le sous cadre en plastique sur les languettes d'emplacement illustrées sur les photos 30 et 31.
- Remontez les trois boulons montrés sur les photos 32 et 33 comme à l'origine.
- Placer le boulon à tête ronde M6 plus long restant (article 7) avec l'une des petites rondelles M6 (article 6) à travers le trou le plus en avant et le joint en caoutchouc comme indiqué sur la photo 34 et le fixer à l'aide de l'un des écrous M6 (article 9).
- Remontez les trois boulons montrés sur les photos 32 et 33 comme à l'origine.
- Placer le boulon à tête ronde M6 plus long restant (article 7) avec l'une des petites rondelles M6 (article 6) à travers le trou le plus en avant et le joint en caoutchouc comme indiqué sur la photo 34 et le fixer à l'aide de l'un des écrous M6 (article 9).
- Acheminez le câblage comme à l'origine.
- Connectez le feu de plaque d'immatriculation à l'aide du connecteur de câblage fourni (article 5) à la prise de fil d'origine.
- Si vous utilisez les clignotants d'origine, connectez les clignotants aux prises d'origine. Il est judicieux de vérifier le fonctionnement du feu de plaque d'immatriculation et des clignotants à ce stade.
- Si vous installez les mini-clignotants R&G, connectez les clignotants à l'aide des connecteurs de câblage fournis (articles 4) à la prise d'origine. Branchez-les sur le métier à tisser pour vérifier le fonctionnement (si l'éclairage échoue, échangez les connecteurs). (Veuillez utiliser le thermorétractable (article 14) pour protéger les nouveaux fils de clignotants). Il est judicieux à ce stade de mettre le contact et de vérifier le bon fonctionnement de tous les feux.
- Remontez le capot du sous-cadre arrière comme à l'origine.
- Remontez les supports de sacoche comme à l'origine.

R&G

Unit 1, Shelley's Lane, East Worldham, Alton, Hampshire, GU34 3AQ

Tel: +44 (0)1420 89007 Fax: +44 (0)1420 87301 www.rg-racing.com Email: info@rg-racing.com



- Si vous utilisez les sacoches, installez-les et positionnez le support de cignotants / plaque d'immatriculation de sorte que les sacoches puissent être retirées sans desserrer les boulons de serrage, serrez fermement les trois boulons.
- Si vous n'utilisez pas de sacoches, le support peut être positionné plus en avant pour améliorer l'apparence, veuillez-vous assurer que tous les boulons soient bien fixés et qu'aucune pièce ne puisse entrer en contact ou endommager une partie de la moto.
- Réinstallez la plaque d'immatriculation (cela peut nécessiter un perçage).
- IMPORTANT : SI VOUS POSEZ UNE PLAQUE D'IMMATRICULATION DE GRANDE TAILLE ET QUE VOUS LA POSEZ VERS LE BAS SUR LE SUPPORT DE PLAQUE D'IMMATRICULATION, IL EST POSSIBLE QUE LA PLAQUE D'IMMATRICULATION TOUCHE LA ROUE ARRIÈRE SOUS L'EFFET D'UNE CHARGE LOURDE ET LORSQUE VOUS PASSEREZ SUR UN RALENTISSEUR. IL EST DE VOTRE RESPONSABILITÉ DE VÉRIFIER QUE CELA NE PUISSE PAS SE PRODUIRE, EN PRENANT LES MESURES POUR ÉVITER TOUT INCIDENT. LA NON-VÉRIFICATION DE CE POINT POURRAIT ENTRAÎNER DES BLESSURES GRAVES.
- Remontez les 2 sièges.
- Selon les lois locales, fixez le réflecteur rouge fourni (**article 15**) dans un endroit approprié.
- **Testez les clignotants, le feu arrière et le feu de plaque d'immatriculation avant de rouler.**

ISSUE 1 30/03/2020 (NSY)

R&G

Unit 1, Shelley's Lane, East Worldham, Alton, Hampshire, GU34 3AQ

Tel: +44 (0)1420 89007 Fax: +44 (0)1420 87301 www.rg-racing.com Email: info@rg-racing.com



MONTAGEANLEITUNG FÜR LP0289BK KENNZEICHENHALTER
FÜR KAWASAKI NINJA 1000SX 2020-
FÜR ORIGINALBLINKER UND M8 BLINKER AUS DEM ZUBEHÖRMARKT



ALLE KIT-TEILE SIND UNTEN ABGEBILDET UND GEKENNZEICHNET.

DIE ABGEBILDETEN TEILE DIENEN LEDIGLICH ZUR ERKLÄRUNG.

ÜBERPRÜFEN SIE ZUERST, DASS ALLE TEILE VORHANDEN SIND.

LESEN SIE DIE MONTAGEANLEITUNG KOMPLETT DURCH, BEVOR SIE ANFANGEN.

**WENN SIE BEI DER MONTAGE DIESES PRODUKTES UNSICHER SIND, BITTE EINEN
UNSERER HÄNDLER KONTAKTIEREN ODER DAS KIT VON EINEM QUALIFIZIERTEN
ZWEIRAD-MECHANIKER MONTIEREN LASSEN.**

DIE VERPACKUNG DER TEILE STELLT NICHT DIE REIHENFOLGE DER MONTAGE DAR.

HINWEIS FÜR KITS MIT PLASTIKUNTERLEGSCHLEIBEN AN DEN SCHRAUBEN –
DIESE PLASTIK-UNTERLEGSCHLEIBEN WERDEN NICHT FÜR DEN EINBAU BENÖTIGT!.

**EINE DIGITALE VERSION DIESER MONTAGEANLEITUNG KANN AUF
FOLGENDER SEITE HERUNTERGELADEN WERDEN:**

WWW.RG-RACING.COM

R&G

Unit 1, Shelley's Lane, East Worldham, Alton, Hampshire, GU34 3AQ
Tel: +44 (0)1420 89007 Fax: +44 (0)1420 87301 www.rg-racing.com Email: info@rg-racing.com



<u>SIE BENÖTIGEN FOLGENDES WERKZEUG</u>	<u>ALLGEM. ANZUGSDREHMOMENT</u>
<ul style="list-style-type: none"> • Satz Inbusschlüssel inkl. 4, 5 & 6mm A/F • 8, 10 and 12mm Schraubenschlüssel oder Steckschlüssel <ul style="list-style-type: none"> • Kreuzschlitzschraubenzieher <ul style="list-style-type: none"> • Seitenschneider • Kl. Menge Sekundenkleber 	M4 SCHRAUBE = 8Nm M5 SCHRAUBE = 12Nm M6 SCHRAUBE = 15Nm M8 SCHRAUBE = 20Nm M10 SCHRAUBE = 40Nm M12 SCHRAUBE = 40Nm

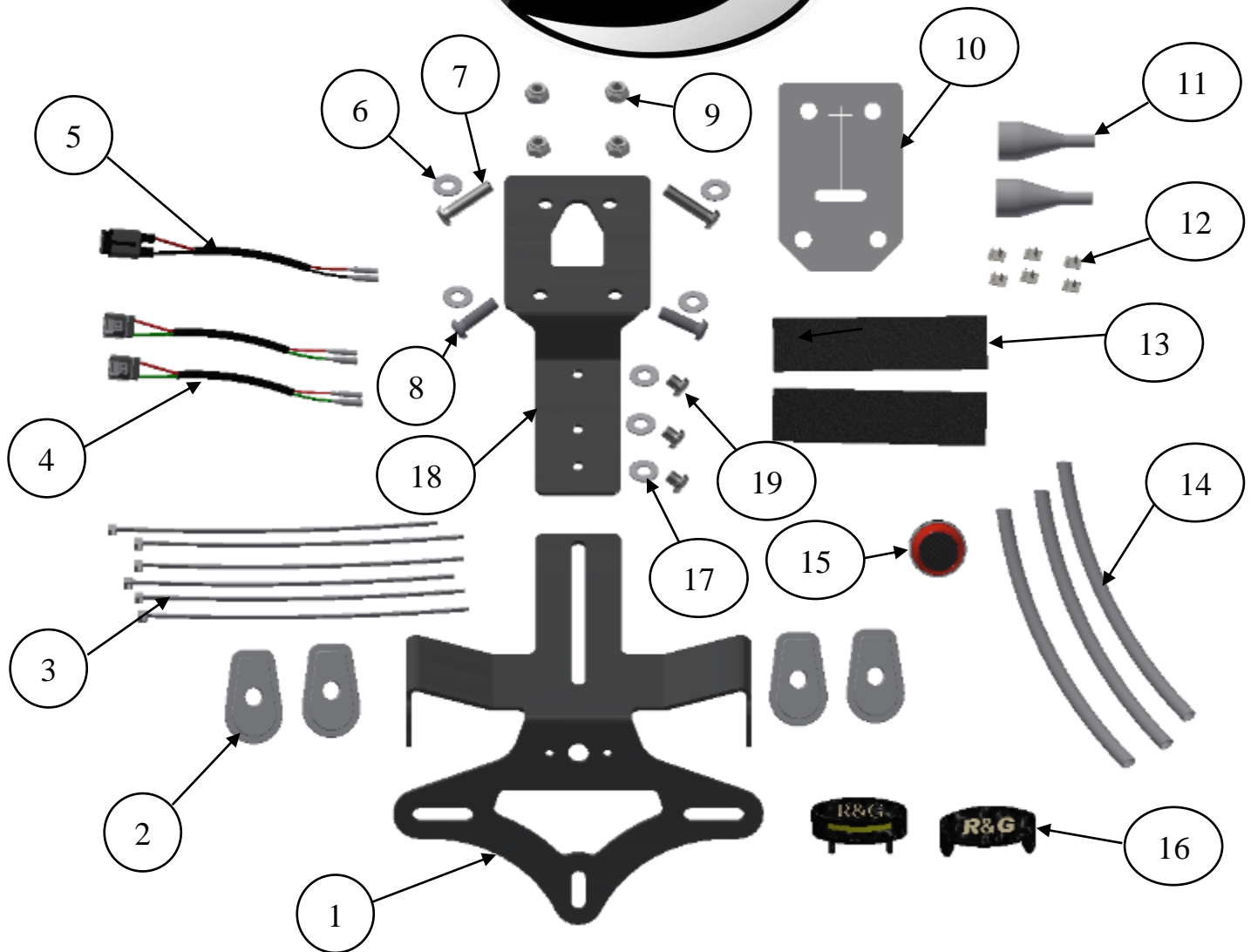
LIEFERUMFANG

ARTIKEL NR.	BESCHREIBUNG	MENGE
ARTIKEL 1	KENNZEICHENHALTER (TB0289 TEIL 1)	1
ARTIKEL 2	MINIBLINKER - ADAPTER (I0026)	4
ARTIKEL 3	2,5mm KABELBINDER	6
ARTIKEL 4	VERBINDUNGEN FÜR R&G MINIBLINKER (CON0060)	2
ARTIKEL 5	VERBINDUNGEN FÜR KENNZEICHENBELEUCHTUNG (CON0051)	1
ARTIKEL 6	M6 UNTERLEGSCHLEIBE (12mm DIA)	4
ARTIKEL 7	M6 x 25mm INBUSSCHRAUBE	2
ARTIKEL 8	M6 x 20mm INBUSSCHRAUBE	2
ARTIKEL 9	M6 SELBSTSICHERNDE MUTTER	4
ARTIKEL 10	GUMMIABDICHTUNG (RG0015)	1
ARTIKEL 11	ABDECKUNGEN FÜR BLINKER-KABEL (IWC0001)	2
ARTIKEL 12	SELBSTKLEBENDE KABELCLIPS	4
ARTIKEL 13	SELBSTKLEBENDER SCHAUMSTOFF	2
ARTIKEL 14	150mm SCHRUMPFSCHLAUCH	3
ARTIKEL 15	RÜCKSTRAHLER (REFL 3)	1
ARTIKEL 16	KENNZEICHENBELEUCHTUNG (LA0002)	1
ARTIKEL 17	M6 UNTERLEGSCHLEIBE (16mm DIA)	3
ARTIKEL 18	MONTAGEHALTERUNG (TB0289 TEIL 2)	1
ARTIKEL 19	M6 x 6mm INBUSSCHRAUBE	3

R&G

Unit 1, Shelley's Lane, East Worldham, Alton, Hampshire, GU34 3AQ

Tel: +44 (0)1420 89007 Fax: +44 (0)1420 87301 www.rg-racing.com Email: info@rg-racing.com



Zusammenbau - Zeichnung 1

MONTAGEANLEITUNG

- Entfernen Sie die Seitenkoffer sowie den Fahrersitz und den Beifahrersitz.
- Entfernen Sie die zwei Schrauben, die in **Abbildung 1** abgebildet sind.
- Entfernen Sie die zwei Schrauben, die in den **Abbildungen 2 und 3** abgebildet sind und entfernen Sie beide Halterungen für die Seitenkoffer.
- Entfernen Sie die vier Schrauben, die in den **Abbildungen 4 und 5** abgebildet sind.
- Entfernen Sie vorsichtig die hintere Abdeckung am Hilfsrahmen.
- Trennen Sie die drei Steckverbinder, die in **Abbildung 6** gekennzeichnet sind.
- Entfernen Sie die vier Schrauben, die in **Abbildung 7** mit Pfeilen gekennzeichnet sind.
- Entfernen Sie die zwei Schrauben, die in **Abbildung 8** mit Pfeilen gekennzeichnet sind.
- Die untere Abdeckung vorsichtig von den Lastpunkten lösen (**siehe Abbildungen 9 und 10**) und den Kennzeichenhalter nach unten herabsetzen (der Spanngurt für das Bordwerkzeug muss durch die Spalte im hinteren Hilfsrahmen geführt werden) bis er auf dem Hinterreifen liegt.

R&G

Unit 1, Shelley's Lane, East Worldham, Alton, Hampshire, GU34 3AQ

Tel: +44 (0)1420 89007 Fax: +44 (0)1420 87301 www.rg-racing.com Email: info@rg-racing.com



- Nun entfernen Sie die zwei Schrauben, die in **Abbildung 11** mit Pfeilen markiert sind.
- Vorsichtig die Kabel entfernen - die Verlegung der Kabel vorher notieren.
- Danach entfernen Sie den Originalkennzeichenhalter und führen Sie die Kabel gleichzeitig durch die Öffnung in der unteren Abdeckung.

Wenn Sie die Originalblinker wieder montieren

- Entfernen Sie die zwei Schrauben, die in **Abbildung 12** gekennzeichnet sind und entfernen Sie den Kennzeichenhalter.
- Entfernen Sie die Mutter, die in **Abbildung 13** gekennzeichnet ist und entfernen Sie den Rückstrahler.
- Entfernen Sie die drei Schrauben, die in **Abbildung 14** gekennzeichnet sind - die Halterung kann nun in zwei Hälften geteilt werden.
- Entfernen Sie die Schraube, die in **Abbildung 15** gekennzeichnet ist, dann die Klemmplatte und die Distanzplatte.
- Den Stiel aus Gummi zusammendrücken, um den Blinker zu entfernen (**Abbildung 16**).
- Wiederholen Sie diese Schritte, um den Blinker an der anderen Seite ebenfalls zu entfernen (die entsprechende Seite merken, da die Blinker jeweils eine Entwässerungsbohrung haben, die beim Einbau nach unten gerichtet werden soll).
- Montieren Sie die Blinker an der Blinker-/Kennzeichen-Montagehalterung (**Artikel 1**) wie in den **Abbildungen 17, 18, 19 und 20** abgebildet (wie ursprünglich montiert). Bitte darauf achten, dass die Blinker an den richtigen Seiten montiert werden.

Wenn Sie Miniblinker verwenden:

- Wenn Sie Miniblinker verwenden, montieren Sie die Blinker Ihrer Wahl an der Blinker-/Kennzeichenhalter-Montagehalterung (**Artikel 1**) (R&G Miniblinker Artikel-Nr. RG371 für LED-Typ oder RG372 für Aero Style LED-Typ) – benutzen Sie die vier Blinker-Adapter (**Artikel 2**) wie in den Abbildungen unten angezeigt und ziehen Sie die Mutter fest.



- Führen Sie die Kabel für die Blinker in eine Mutter-/Kabelabdeckung (**Artikel 11**) wie in der **Abbildung unten** abgebildet (etwas Spülmittel kann helfen, die Kabel einfacher durch die Abdeckung zu schieben) und die Mutterabdeckung auf der Mutter positionieren (diesen Schritt mit dem zweiten Blinker wiederholen).
- Jeweils eine Länge des mitgelieferten Schrumpfschlauchs (**Artikel 14**) an den Blinker-Kabeln anbringen, sodass der Stiel der Mutter-/Kabelabdeckung vom Schrumpfschlauch bedeckt ist. Den Schrumpfschlauch leicht erwärmen, bis er sich um die Kabel und die Abdeckung zusammenzieht wie in den **Abbildungen unten** abgebildet:
-

R&G

Unit 1, Shelley's Lane, East Worldham, Alton, Hampshire, GU34 3AQ

Tel: +44 (0)1420 89007 Fax: +44 (0)1420 87301 www.rg-racing.com Email: info@rg-racing.com



- Montieren Sie die neue Kennzeichenbeleuchtung (**Artikel 16**) am neuen Kennzeichenhalter (**Artikel 1**) wie in den **Abbildungen 21 und 22** abgebildet
- **BITTE BEACHTEN: VOR DER MONTAGE MUSS DIE LICHTABDECKUNG MIT SEKUNDENKLEBER AN DER LED-KENNZEICHENBELEUCHTUNG ANGEKLEBT WERDEN.**
- Benutzen Sie die Kabelbinder und Clips (**Artikel 3 und 12**), um die Kabel ordentlich zu verstauen – siehe **Abbildung 23**. Bitte darauf achten, dass Sie genug Platz um die Öffnungen für Schrauben und Unterlegscheiben frei lassen.
- Kleben Sie den selbstklebenden Schaumstoff (**Artikel 13**) an der Montagehalterung (**Artikel 18**) – siehe **Abbildung 24**.
- Benutzen Sie die drei kurzen M6 Inbusschrauben (**Artikel 19**) zusammen mit den größeren Unterlegscheiben (**Artikel 17**), um die Haupt-Montagehalterung (**Artikel 18**) an der Blinkerhalterung/Halterung für den Kennzeichenhalter (**Artikel 1**) zu montieren wie in **Abbildung 25** abgebildet. (soweit wie möglich nach hinten anbringen und zu diesem Zeitpunkt noch nicht befestigen).
- Führen Sie die Kabel durch die mittlere Spalte im Kennzeichenhalter – siehe **Abbildung 26**.
- Führen Sie die Kabel durch die Spalte in der Gummiabdichtung (**Artikel 10**) wie in **Abbildung 26** abgebildet.
- Die Einheit in Position bringen und die Kabel wie ursprünglich durch die untere Abdeckung führen – siehe **Abbildung 27**.
- Führen Sie die Kabel durch die Kabelführungen der unteren Abdeckung und den Hilfsrahmen wie ursprünglich wieder.
- Die untere Abdeckung vorsichtig wieder an ihre Ursprungsposition anheben.
- Eine lange M6 Inbusschraube (**Artikel 7**) und eine kleine M6 Unterlegscheibe (**Artikel 6**) durch die mit „A“ gekennzeichnete Öffnung und die Gummiabdichtung führen – siehe **Abbildungen 26 und 28**.
- Eine kurze M6 Inbusschraube (**Artikel 8**) mit einer kleinen M6 Unterlegscheibe (**Artikel 6**) durch die mit „B“ gekennzeichnete Öffnung und die Gummiabdichtung führen – siehe **Abbildungen 26 und 28**.
- Benutzen Sie zwei M6 Mutter (**Artikel 9**), um sie in Position zu fixieren wie in **Abbildung 29** abgebildet (zu diesem Zeitpunkt nicht festziehen).
- Die untere Abdeckung nun über die Lastpunkte einrasten – siehe **Abbildungen 30 und 31**.
- Montieren Sie die drei Schrauben, die in den **Abbildungen 32 und 33** abgebildet sind wie ursprünglich wieder.
- Die übrige lange M6 Inbusschraube (**Artikel 7**) mit einer kleinen M6 Unterlegscheibe (**Artikel 6**) durch die übrige, vorderste Öffnung und die Gummiabdichtung führen, wie in **Abbildung 34** abgebildet, und mit einer M6 Mutter (**Artikel 9**) fixieren.

R&G

Unit 1, Shelley's Lane, East Worldham, Alton, Hampshire, GU34 3AQ

Tel: +44 (0)1420 89007 Fax: +44 (0)1420 87301 www.rg-racing.com Email: info@rg-racing.com



- Die übrige kurze M6 Inbusschraube (**Artikel 8**) mit einer kleinen M6 Unterlegscheibe (**Artikel 6**) durch die übrige, hinterste Öffnung und die Gummiabdichtung führen, wie in **Abbildung 34** abgebildet, und diese mit einer M6 Mutter (**Artikel 9**) fixieren. Alle vier Muttern nun festziehen.
- Verlegen Sie die Kabel wie ursprünglich wieder.
- Benutzen Sie die Verbindung für die Kennzeichenbeleuchtung (**Artikel 5**), um die Kennzeichenbeleuchtung mit der original Steckverbindung zu verbinden.
- Wenn Sie die Originalblinker montieren, verbinden Sie die Blinker mit den original Steckverbindungen. Überprüfen Sie nun die Funktion der Blinker und Kennzeichenbeleuchtung (wenn sie nicht funktionieren sollten, tauschen Sie die Kabel untereinander).
- Wenn Sie die R&G Miniblinker montieren, benutzen Sie die mitgelieferten Verbindungen für die Blinker (**Artikel 4**), um die Blinker mit der original Steckverbindung zu verbinden. Diese mit dem Kabelbaum verbinden und danach die Funktion der Blinker und Kennzeichenbeleuchtung überprüfen (wenn sie nicht funktionieren sollten, tauschen Sie die Kabel untereinander). Bitte den Schrumpfschlauch (**Artikel 14**) benutzen, um die neuen Kabel zu schützen. Es empfiehlt sich, zu diesem Zeitpunkt die Zündung einzuschalten und die ordnungsgemäße Funktion der kompletten Beleuchtung zu überprüfen.
- Montieren Sie die hintere Abdeckung wie ursprünglich wieder.
- Montieren Sie die Halterungen für die Seitenkoffer wie ursprünglich wieder.
- Wenn Sie Seitenkoffer anbringen, positionieren und montieren Sie die Blinker/Kennzeichenhalterung so, dass die Koffer entfernt werden können, ohne dass Sie die Befestigungsschrauben lösen müssen. Ziehen Sie die drei Schrauben fest.
- Wenn Sie die Seitenkoffer nicht anbauen, kann der Kennzeichenhalter weiter nach innen positioniert werden, um noch besser auszusehen. Bitte darauf achten, dass alle Schrauben festgezogen sind und keine Teile das Motorrad berühren und somit beschädigen können.
- Montieren Sie das amtliche Kennzeichen wieder (Bohrungen im Kennzeichen evtl. notwendig).
- **WICHTIG: WENN EIN GROSSES KENNZEICHEN ZU WEIT NACH UNTEN MONTIERT WIRD, BESTEHT BEI SCHWERER LAST ODER DURCH GROSSE BODENWELLEN EIN GERINGES RISIKO, DASS DAS KENNZEICHEN AN DAS HINTERRAD STOSSEN KANN. ES LIEGT IN IHRER VERANTWORTUNG DIES ZU ÜBERPRÜFEN UND, WENN NOTWENDIG, ZU VORBEUGENDE MASSNAHMEN ZU ERGREIFEN. DIE NICHTBEACHTUNG DIESER SICHERHEITSHINWEIS KANN ZU SCHWEREN VERLETZUNGEN FÜHREN.**
- Montieren Sie beide Sitze wieder.
- Entsprechend der gesetzlichen Vorschriften, den mitgelieferten Rückstrahler (**Artikel 15**) an die dafür vorgesehene Stelle anbringen.
- **Überprüfen Sie die Funktion der Beleuchtung (beide Blinker und die Kennzeichenhalterbeleuchtung) nochmal vor Gebrauch des Fahrzeuges.**

AUSGABE 1 30/03/2020 (NSY)

R&G

Unit 1, Shelley's Lane, East Worldham, Alton, Hampshire, GU34 3AQ

Tel: +44 (0)1420 89007 Fax: +44 (0)1420 87301 www.rg-racing.com Email: info@rg-racing.com