



FITTING INSTRUCTIONS FOR LP0374BK
LICENCE PLATE BRACKET



This kit contains the items pictured and labelled over page.
Some parts may be shown for clarity of instructions only.
Do not proceed until you are sure all parts are present.
Please read all instructions before proceeding.

IF IN ANY DOUBT WHEN FITTING OUR PRODUCTS, CONSULT ONE OF OUR DEALERS
OR HAVE FITTED BY A QUALIFIED TECHNICIAN.

Please note that the way the kit is packed does not necessarily represent the way of mounting to the bike.

In the event of rubber washers being used to hold components onto bolts, these rubber washers can be thrown away.



<u>TOOLS REQUIRED</u>	<u>GENERAL TORQUE SETTINGS</u>
<ul style="list-style-type: none"> • Set of metric Hex keys to include 5mm & 6mm. • Set of metric sockets and wrench. To include 8mm, 10mm & 12mm. <ul style="list-style-type: none"> • Cable cutters 	<p>M4 BOLT = 8Nm</p> <p>M5 BOLT = 12Nm</p> <p>M6 BOLT = 15Nm</p> <p>M8 BOLT = 20Nm</p> <p>M10 BOLT = 40Nm</p> <p>M12 BOLT = 40Nm</p>

LEGEND

ITEM No.	DESCRIPTION	QTY
ITEM 1	MAIN MOUNTING BRACKET	1
ITEM 2	LICENCE PLATE MOUNTING BRACKET	1
ITEM 3	COVER PLATE	1
ITEM 4	8mm WASHER - A2 STAINLESS	4
ITEM 5	12mm WASHER - A2 STAINLESS	6
ITEM 6	COUNTERSUNK BOLT	4
ITEM 7	BUTTON HEAD BOLT	4
ITEM 8	NYLOC NUT	4
ITEM 10	180mm LENGTH OF HEAT SHRINK	1
ITEM 11	SELF ADHESIVE CLIP	4
ITEM 12	LICENCE PLATE LIGHT (WITH SHROUD)	1
ITEM 13	8mm COUNTERSUNK BOLT (NOT SHOWN)	2

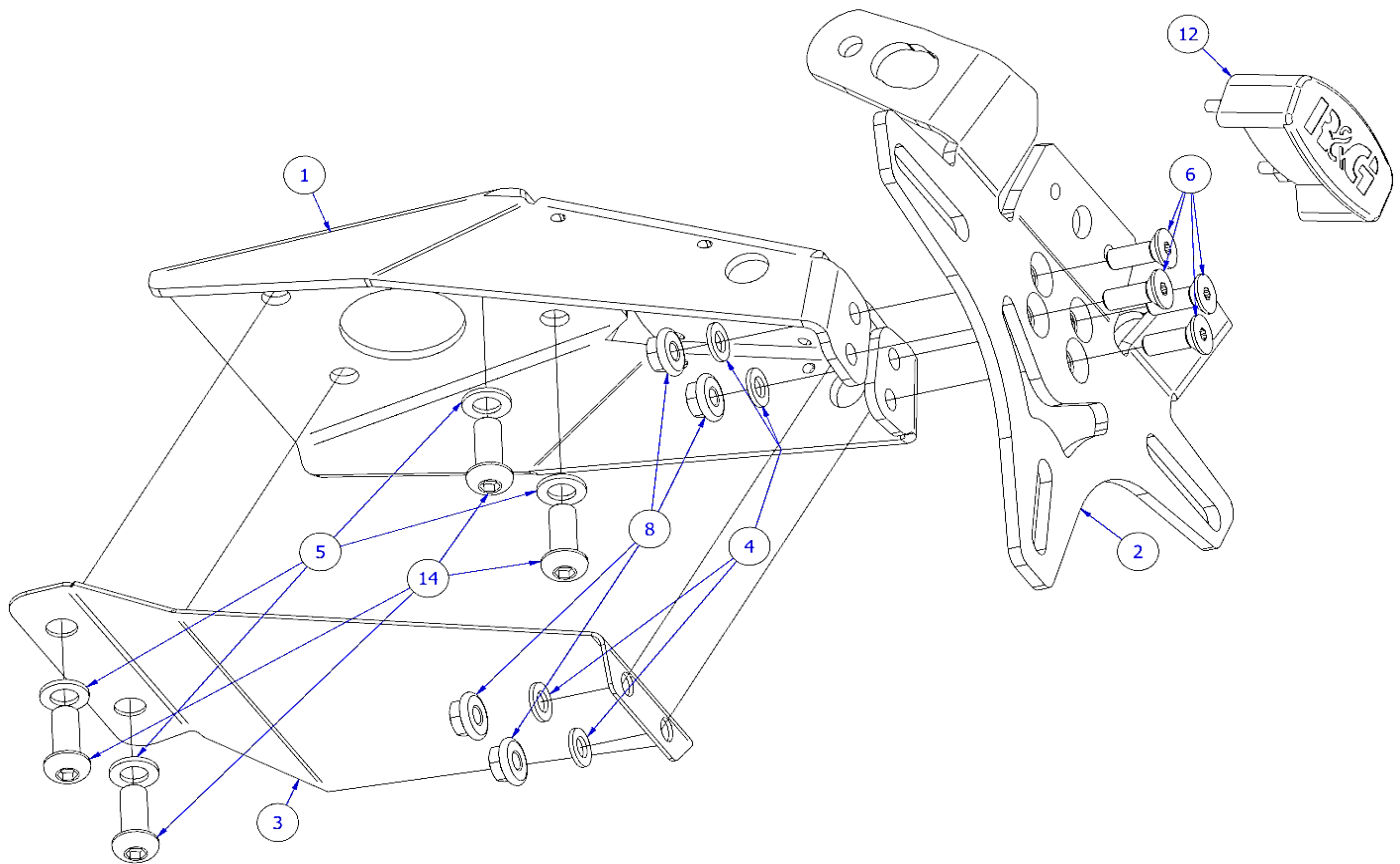
R&G

Unit 1, Shelley's Lane, East Worldham, Alton, Hampshire, GU34 3AQ

Tel: +44 (0)1420 89007 Fax: +44 (0)1420 87301 www.rg-racing.com Email: info@rg-racing.com



ASSEMBLY DIAGRAM



FITTING INSTRUCTIONS

Disassembly of OEM Tail Unit:

- Disconnect the wiring connectors going to the OEM Tail Unit located under the passenger seat.
- Remove the OEM tail unit via the four bolts underneath the passenger seat.
- Un-screw all visible bolts on the OEM Tail Unit then remove the OEM indicators for later use.
- Also remove the sub-loom for use with the R&G tail tidy.
- Re-assemble the OEM Tail unit without the indicators and store away safely.

1390 Tail Tidy Assembly:

- Use the supplied heat shrink to cover the number plate light wiring and indicator wiring if necessary.
- Attach the OEM indicators and supplied number plate light (**Item 12**) with connector to the R&G licence plate bracket (**Item 2**)
- Attach the support bracket (**Item 1**) to the licence plate bracket using 2x of the supplied countersunk bolts (**Item 6**), washers (**Item 4**) and Nyloc nuts (**Item 8**) in the upper mounts only.
- Pass the number plate light wiring through the central gap, the indicator cables through the holes on each side of the main bracket.
- Offer up the tail tidy to the motorcycle and pass the connectors through the hole in the undertray.
- Then pass 2x of the supplied button head bolts (**Item 14**) with washers (**Item 5**) through the rearward holes in the main bracket then through the motorcycle's undertray.
- Fully tighten the now fitted, 2x countersunk bolts and nuts, and the 2x M6 button heads

R&G

Unit 1, Shelley's Lane, East Worldham, Alton, Hampshire, GU34 3AQ

Tel: +44 (0)1420 89007 Fax: +44 (0)1420 87301 www.rg-racing.com Email: info@rg-racing.com



- Connect the indicator and number plate light connectors to the original sub loom.
Test the indicators and number plate light function correctly before moving forwards with the fitting.
- Offer up the cover plate (**Item 3**) to the assembly, ensuring not to pinch/capture any of the sub loom and pass the remaining 2x countersunk bolts through the licence plate & main mounting brackets, then apply the washers and nuts to the exposed thread on the inside of the assembly.
- Then fit the remaining washers to the 2x M6 bolts and pass through the cover plate, mounting bracket and into the undertray.
- Then fully tighten the bolts to the required torque spec.

990 Tail Tidy Assembly:

- Use the supplied heat shrink to cover the number plate light wiring and indicator wiring if necessary.
- Attach the OEM indicators and supplied number plate light (**Item 12**) with connector to the R&G licence plate bracket (**Item 2**)
- Pass 2x of the supplied button head bolts (**Item 14**) with washers (**Item 5**) through the rearward holes in the main bracket then through the motorcycles undertray.
- Connect the indicator and number plate light connectors to the original sub loom. Pass the number plate light wiring through the central gap & the indicator cables through the slots on each side of the main bracket.
- Offer up the license plate bracket to the support bracket (**Item 1**) to the motorcycle and pass the connectors through the hole in the undertray.
Test the indicators and number plate light function correctly before moving forwards with the fitting.
- Attach the support bracket (**Item 1**) and cover plate (**Item 3**) to the licence plate bracket using 2x of the supplied countersunk bolts (**Item 6**), washers (**Item 4**) and Nyloc nuts (**Item 8**) through the UPPER holes in the license plate bracket through the LOWER holes in the support bracket.
- Then fit the remaining washers to the 2x M6 bolts and pass through the cover plate, mounting bracket and into the undertray.
- Fully tighten the now fitted, 2x countersunk bolts and nuts, and the 4x M6 button heads
- OPTIONAL – plug the 2x remaining countersunk holes in the license plate with the 8mm countersunk M5 bolts (**Item 13**) and remaining M5 washers & nuts.
- Fully tighten the bolts to the required torque spec.

IMPORTANT: FOR SAFETY, ENSURE THE LICENCE PLATE IS PLACED AS HIGH AS POSSIBLE ON THE TAIL TIDY (IT MAY REQUIRE DRILLING). IF FITTING A LICENCE PLATE OF 200MM OR LONGER (INCLUDING ANY SHROUD OR REFLECTOR ATTACHMENT) TO THE BRACKET, BEFORE RIDING, FULLY COMPRESS THE SUSPENSION TO ENSURE NO PART OF THE ASSEMBLY CAN CONTACT THE TYRE WHILE THE VEHICLE IS IN MOTION OR UNDER LOAD. IT IS YOUR RESPONSIBILITY TO CHECK FOR THIS POSSIBILITY AND TAKE AVOIDING ACTION. FAILURE TO CHECK THIS COULD RESULT IN SERIOUS INJURY OR DAMAGE TO THE MOTORCYCLE.

ISSUE 3 25/03/2024 MH

CONSUMER NOTICE

The catalogue description and any exhibition of samples are only broad indications of the Products and R&G may make design changes which do not diminish their performance or visual appeal and supplying them in such state shall conform to the order. The Buyer acknowledges no representation or warranty (other than as to title) has been given or will apply to the Products other than those in R&G's order or confirmation and the Buyer confirms it has chosen the Products as being of merchantable quality and suitable for its particular purposes. Where R&G fits the Products or undertakes other services it shall exercise reasonable skill and care and rectify any fault free of charge unless the workmanship has been disturbed. The Buyer is responsible for ensuring that the warranty on the motorcycle is not affected by the fitting of the Products. On return of any defective Products R&G shall at its option either supply a replacement or refund the purchase money but shall not be liable if the Products have been modified or used or maintained otherwise than in accordance with R&G's or manufacturer's instructions and good engineering practice or if the defect arises from accident or neglect. Other than identified above and subject to R&G not limiting its liability for causing death and personal injury, it shall not be

R&G

Unit 1, Shelley's Lane, East Worldham, Alton, Hampshire, GU34 3AQ

Tel: +44 (0)1420 89007 Fax: +44 (0)1420 87301 www.rg-racing.com Email: info@rg-racing.com



liable for indirect or consequential loss and otherwise its liability shall be limited to the amounts paid by the Buyer for the Products or the fitting or service concerned. These terms do not affect the Buyer's statutory rights.

R&G RACING RETURNS POLICY (NON-FAULTY GOODS)

Returns must be pre-authorized (if not pre-authorized the return will be rejected). Goods may only be returned direct to us if they were purchased direct from us (customer must prove if necessary). Otherwise to be returned to original vendor. Goods must be in re-sellable condition, in the opinion of R&G Racing. All returns are subject to a 25% restocking and handling fee (25% of the gross value exc. P&P – at the prevailing price at time of purchase). The customer must pay any and all carriage charges. No returns of discontinued products, unless within 14 days of purchase. This policy does not affect your statutory rights and does not refer to faulty goods.

R&G

Unit 1, Shelley's Lane, East Worldham, Alton, Hampshire, GU34 3AQ

Tel: +44 (0)1420 89007 Fax: +44 (0)1420 87301 www.rg-racing.com Email: info@rg-racing.com