

HYPHERPRO

STEERING DAMPER MOUNTING KIT

for

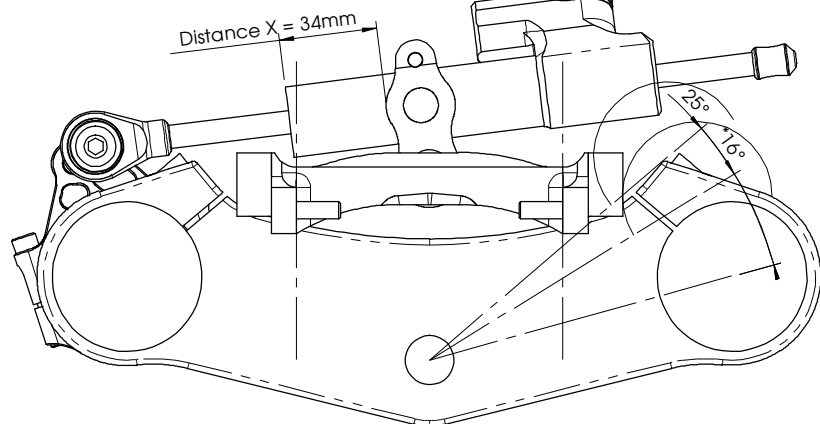
YAMAHA R6 (RACE-KIT) Model 2008>

MK-YA06-B002 PART LIST

SD stroke 75 REVERSED	1	M8x25 Button head	1
Tube Clamp Type 1	1	M8x35 Button head	1
O-Ring	2	Washer M8 ϕ 16	2
Fork Clamp ϕ 52	1	Steering Lock Limiter	2
Frame Bracket	1	-	-
Spacer Type 1	1	-	-
M6x12	2	-	-
M6x20 Low head	2	-	-

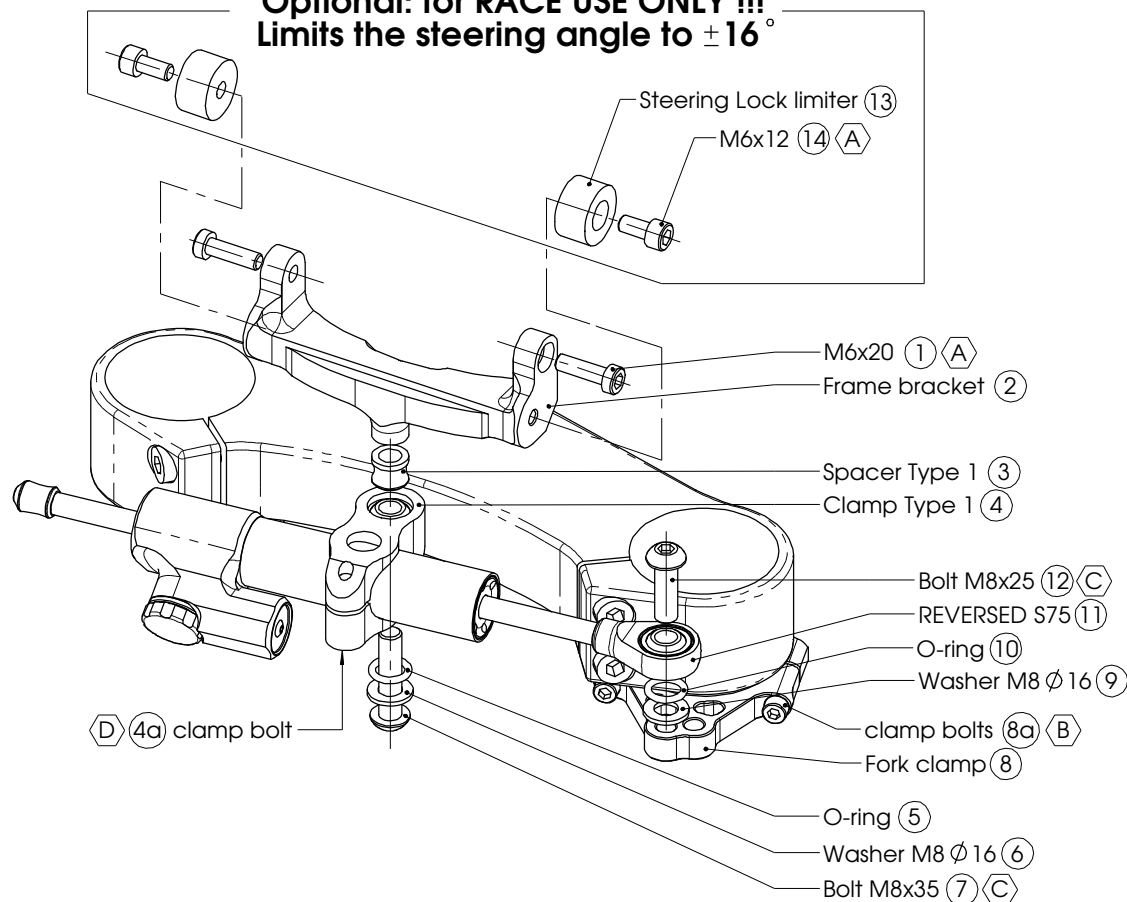
ALL IDEAS, DESIGNS ARRANGEMENTS AND PLANS INDICATED OR REPRESENTED BY THIS DRAWING ARE OWNED BY HYPERPRO AND WERE CREATED, EVOLVED AND DEVELOPED FOR USE ON AND IN CONNECTION WITH THE SPECIFIC PROJECT. NONE SUCH IDEAS, DESIGNS, ARRANGEMENTS OR PLANS SHALL BE USED BY OR DISCLOSED TO ANY PERSON, FIRM OR CORPORATION FOR ANY PURPOSE WHATSOEVER WITHOUT THE WRITTEN PERMISSION OF HYPERPRO.

Damping adjustment knob:
- turn CW to INCREASE damping,
- turn CCW to DECREASE damping,
Avoid using maximum setting!



ATTENTION: RACE-KIT !!!
 - remove Horn + bracket + plastic cover
 - may interfere with stock brake hoses!
 - may interfere with stock body parts!

*Optional: for RACE USE ONLY !!!
Limits the steering angle to $\pm 16^\circ$



1
of 2

(A) 5-9Nm / 44-80Lbs.In / 4.0-6.4Lbs.Ft	(C) 14-17Nm / 124-150Lbs.In / 10.3-12.5Lbs.Ft
(B) 8Nm / 70Lbs.In / 5.9Lbs.Ft	(D) 6Nm / 53Lbs.In / 4.4Lbs.Ft

See WWW.HYPERPRO.COM for the latest pictures, modifications, specs. and e-drawings of this steering damper kit.

HYPERPRO

STEERING DAMPER MOUNTING KIT

for

YAMAHA R6 (RACE-KIT) Model 2008>

MK-YA06-B002 INSTALLATION INSTRUCTIONS

In general:

HYPERPRO can not be held responsible in any way for any form of physical, material, financial or other damage arising from use, assembly or overhaul of HYPERPRO products. HYPERPRO reserves the right to make changes without prior notice.

This product is ONLY TO BE INSTALLED BY A PROFESSIONAL MECHANIC.

This product is only to be used for the motorcycle brand, model and year stated specifically on top of the pages of this manual.

DO NOT attempt to install this product on motorcycles from any different brand, model and/or year than stated on the pages of this manual.

DO NOT use this kit for cars, boats, jet-skies, snowmobiles, ATV's, aircraft, hovercrafts or any other vehicle and/or purpose.

HYPERPRO steering dampers are FOR RACE USE ONLY, NOT FOR HIGHWAY USE!

Before installation:

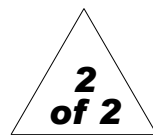
- Please read the entire manual carefully before starting the installation!
- Check if you have all the tools required. Good tools are a must.
- Protect your bike at the most important places in and around the work area (e.g. tank, fairing, frame, etc.) with a blanket, towel or similar.

During installation:

- Check all operations and parts carefully before, during and after performing each step.
- Clean all surfaces that are required for fitting parts together or for applying self adhesives or loctite, thoroughly with contact cleaner or another degreaser, unless otherwise stated.
- Be careful not to damage or scratch any part of your bike.
- ALWAYS work relaxed and concentrated!! It is very easy to damage something or make a mistake.

After installation:

- Check and make sure that there is no contact between any part of the steering damper kit and any part of the motorcycle. The kit should not hit anything. Steering movement should not be limited by the steering damper. If the steering movement is limited, adjust the position of the tube in the clamp until steering movement is normal again. Do not forget to tighten the clamp bolt again!
- ALWAYS check the steering movement and feeling before each ride!
- FIRST RIDES: Start with the damper turned fully open (turn adjuster knob fully counter clockwise). Start adjusting in between rides with steps of MAX. 2 CLICKS (0.25 TURN) EACH TIME, until the damper is working satisfactory for your riding style.
- NEVER USE MAXIMUM SETTING, ALWAYS OPEN AT LEAST 2 CLICKS (0.25 TURN).
- WARNING ! DAMPER HAS AN ACTIVE / SPEEDSENSITIVE DAMPING SYSTEM;
 - Steering with NORMAL MOVEMENT should be FREE !!
 - Steering with FAST MOVEMENT should be CONTROLLED BY DAMPER !!
- HYPERPRO uses a special seal to reduce friction. The seal uses an oil film to work properly. It is normal that some oil can appear on the pistonrod.
- Damper works with oil: DAMPING CAN BE HARDER AT LOWER TEMPERATURES!



Step 1: Remove horn + bracket and plastic cover

Step 2: install the frame bracket assembly

Install the frame bracket using:

- 2x M6x20 (1)
- Frame bracket (2)
- Spacer Type 1 (3)
- Clamp Type 1 (4)
- 1x O-ring (5)
- 1x Washer M8 ϕ 16 (6)
- Bolt M8x35 (7)

Remove the 2 lower M6 bolts from the front air intake mounting points. Also LOOSEN the upper bolts if necessary for easier installation.

Use the M6x20 bolts (1) to install the frame bracket (2) to the frame. Tighten the bolts with a torque of approx. 5-9Nm/44-80Lbs.In/4.0-6.4Lbs.Ft.

Install the spacer (3), clamp (4), O-ring (5) and washer (6) using the M8x35 bolt (7). Tighten the bolt with a torque of approx. 14-17Nm/124-150Lbs.In/10.3-12.5Lbs.Ft.

Step 3: install the fork clamp

install the fork clamp using:

- Fork clamp (8)

Disassemble the fork clamp (8) by removing the clamp bolts (8a). Re-assemble the parts around the left fork leg, as shown on page 1, approx. 3mm beneath the lower triple clamp. Make sure it is positioned correctly and tighten the clamp bolts with a torque of approx. 8Nm/70Lbs.In/5.9Lbs.Ft.

Step 4: installing the steering damper

Install the steering damper using:

- Washer M8 ϕ 16 (9)
- 1x O-ring (10)
- REVERSED S75 Steering damper (11)
- Bolt M8x25 button head (12)

Ensure that the clamp bolt of the damper clamp (4) is pointing forward. Shove the damper (12), with the ball joint side first, through the clamp until the ball joint can be fitted to the fork clamp (8). Use the washer (9), O-ring (10) and M8 bolt (2) to fit the ball joint to the fork clamp and tighten with a torque of approx. 14-17Nm/124-150Lbs.In/10.3-12.5Lbs.Ft.

Position the damper tube until the distance "X" stated on page 1 is reached and make sure that the angle of the damper body is set correctly, then tighten the M6 clamp bolt (4a) with a torque of approx. 6Nm/53Lbs.In/4.4Lbs.Ft. Check if the damper is level horizontally and aligned to the bike. Check if the damper does not touch anything when steering from left to right. Check if the bike can make it's full steering angle from left to right.

* Step 5: install the steering lock limiters

*OPTIONAL!

Steering lock limiters can be useful for track racing as they reduce the risk of getting a violent tank-slapper. Besides that, they can also reduce damage during a crash by keeping the front wheel clear of the tarmac if the bike is sliding on its side.

To install, simply screw a steering lock limiter (13) to each side of the frame bracket (2), using a M6x12 bolt (14). Tighten the bolts with a torque of approx. 5-9Nm/44-80Lbs.In/4.0-6.4Lbs.Ft.

See WWW.HYPERPRO.COM for the latest pictures, modifications, specs. and e-drawings of this steering damper kit.