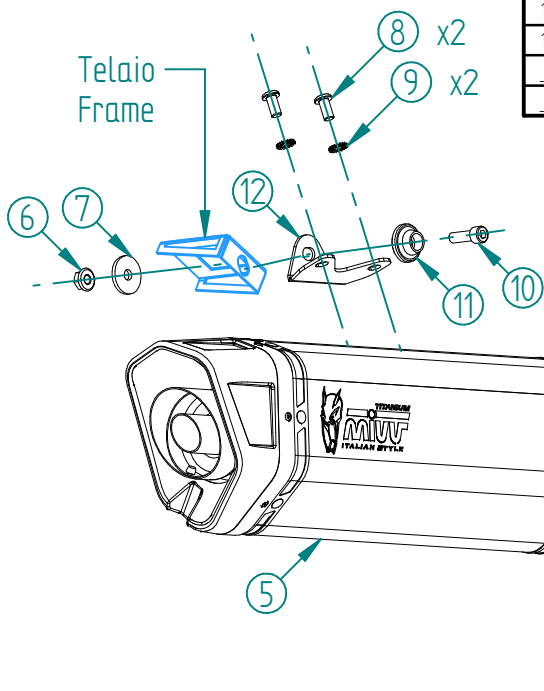
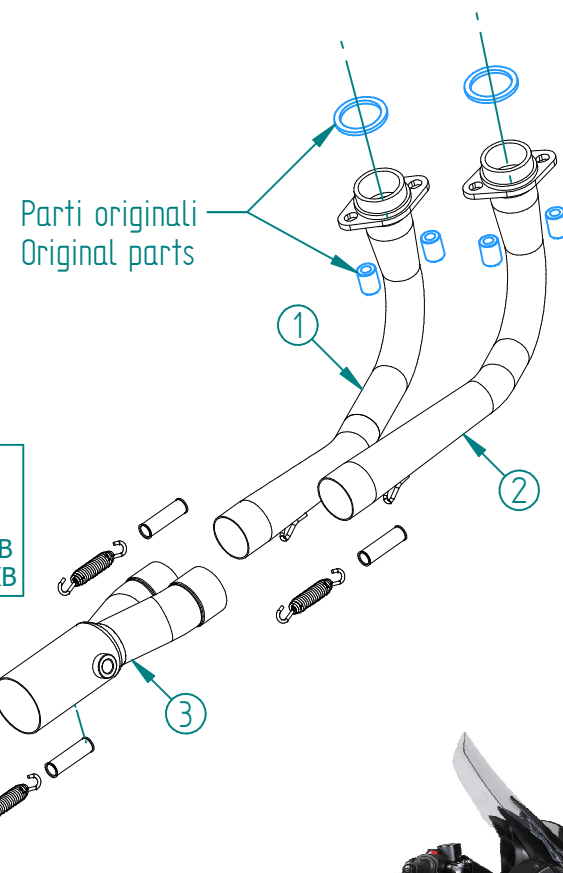


| # | DESCRIPTION | PART NUMBER | QTY |
|----|---|--------------|-----|
| 1 | Collettore #1 / Down pipe #1 | 9773Y061SEA | 1 |
| 2 | Collettore #2 / Down pipe #2 | 9773Y061SEB | 1 |
| 3 | Tubo di raccordo 2-1 / Link pipe 2-1 | 9773Y061SEC | 1 |
| 4 | Tubo di raccordo / Link pipe | 9773Y061SED | 1 |
| 5 | Silenziatore / Muffler db killer 50.DK.184.0 | SR-1 350 | 1 |
| 6 | Dado M8 flangiato / Flanged nut M8 | 50.73.393.1 | 1 |
| 7 | Rondella M8 / Washer M8 | 50.73.866.1 | 1 |
| 8 | Vite M8 x 16 / Screw M8 x 16 | 50.73.098.1 | 2 |
| 9 | Rondella di sicurezza / Safety washer | 50.73.604.1 | 2 |
| 10 | Vite M8x25 / Screw M8x25 | 50.73.064.1 | 1 |
| 11 | Rondella in alluminio nera / Black aluminium washer | 50.73.221.1 | 1 |
| 12 | Staffa / Bracket | 50.SS.1260.0 | 1 |
| 13 | Molla media / Mid-size spring | 50.73.359.1 | 4 |
| 14 | Gommino per molla / Rubber pipe | 50.73.210.1 | 4 |
| — | Distanziale alluminio / Aluminium spacer (foglio 2 / sheet 2) | 50.SS.977.1 | |
| — | Vite M10x45 / Screw M10x45 (foglio 2 / sheet 2) | 50.73.325.1 | |



Catalytic Converter
Cod. ACC.045.A1

Optional for Y.061.LR1TB - Y.061.LR1XB
Included in Y.061.KR1TB - Y.061.KR1XB



| APPLICAZIONI / APPLICATIONS | | | |
|-----------------------------|---|---------------------|------------------|
| CODICE / CODE | SILENZIATORE / MUFFLER | NOTE | TUBO / PIPE |
| Y.061.LR1TB | TITANIO NERO (COPPA CARBONIO) / BLACK TITANIUM (CARBON CAP) | CATALYTIC CONVERTER | INOX / ST. STEEL |
| Y.061.LR1XB | INOX NERO (COPPA CARBONIO) / STEEL BLACK (CARBON CAP) | NOT INCLUDED | |
| Y.061.KR1TB | TITANIO NERO (COPPA CARBONIO) / BLACK TITANIUM (CARBON CAP) | CATALYTIC CONVERTER | |
| Y.061.KR1XB | INOX NERO (COPPA CARBONIO) / STEEL BLACK (CARBON CAP) | INCLUDED | |